

MLC 9000+ Ethernet/IP Bus Module



The Ethernet/IP Bus Module is part of the MLC 9000+ DIN-Rail mounting multiple loop PID control system. The Bus Module is the supervisor in the MLC 9000+ system and manages the communication with up to 8 single or multiple Loop Modules and the Ethernet/IP network. Systems larger than 32 loops can be built using multiple Bus Modules, within the limitations of your Ethernet/IP system.

- **Ethernet/IP port**
- **10/100BaseT supported**
- **DIN Rail Mounting**
- **Software Configurable**
- **Configuration port**
- **Configurable Data Assemblies**



Technical Data

Ethernet/IP Port

Protocol	Ethernet/IP (Slave Device)
Function	Connection of the MLC 9000+ system to a Ethernet/IP Master Device
Configuration	IP Address and MAC Address. Configured using the MLC9000+ Configurator software, via the configuration port
Messaging Supported	I/O and Explicit messaging
Connector	RJ45 type conforming to CAT5 10/100BaseT
Diagnostics	Two Colour LED, indicating On/Off-line, Self Test, Bus Fault and Communication Status

Configuration Port

Protocol	West PC Configuration protocol only
Function	Communicates with West MLC 9000+ Configuration Software
Diagnostics	Three colour LED, indicating Power Fail, Bus Alarm & Communications Status
Connector	6-way RJ11 Type

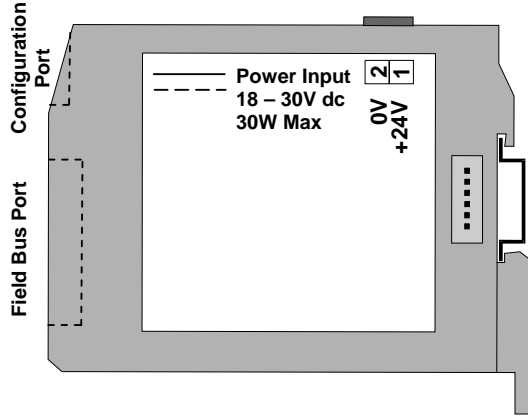
Physical

Dimensions	Height: 100mm, Width: 30mm, Depth: 120mm
Mounting	Directly fitted onto 35mm Top-Hat DIN mounting rail (EN50022, DIN46277-3)
Weight	0.21kg

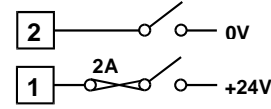
Operating & Environmental

Temperature & RH	0 to 55°C (-20 to 80°C storage), 30% to 90%RH non-condensing
Power Supply	18 to 30Vdc (inc ripple), 30W Max
Power Connector	2-way 5.08mm Combicon type
Protection	IEC IP20. Designed for installation in an enclosure which is sealed against dust and moisture
Approvals and Certification	EMC: Certified to EN61326. Safety: Complies with EN61010 and UL 3121-1, awaiting approval from ODVA

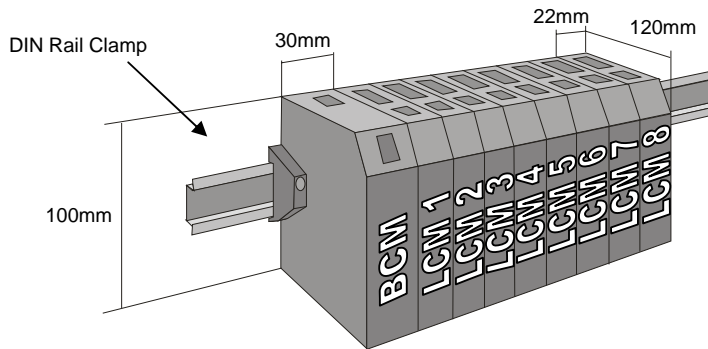
Connection Details



Power Connections



System Dimensions



Ethernet/IP Connections

Pin No.	568A	568B
1	WHITE/green	WHITE/orange
2	GREEN/white	ORANGE/white
3	WHITE/orange	WHITE/green
4	BLUE/white	BLUE/white
5	WHITE/blue	WHITE/blue
6	ORANGE/white	GREEN/white
7	WHITE/brown	WHITE/brown
8	BROWN/white	BROWN/white

Data Assemblies

Using the MLC 9000+ configuration software the user can define a collection of parameters (data assembly) for communication via I/O messaging. This allows the user to fully customise the communication interface to the MLC 9000+ system. The user drags and drops the required parameters into the data assembly area an EDS file is then created for use with your Ethernet/IP master device.

Order Code

MLC 9000-BM250-EI

Bus Module with Ethernet/IP & Configuration Port

In accordance with our policy of continuous improvement, we reserve the right to change specifications from those shown in this document.