

## MLC 9000+ PROFIBUS Bus Module



The PROFIBUS Bus Module is part of the MLC 9000+ DIN-Rail mounting multiple loop PID control system. The Bus Module is the supervisor in the MLC 9000+ system and manages the communication with up to 8 single or multiple Loop Modules and the PROFIBUS network. Systems larger than 32 loops can be built using multiple Bus Modules, within the limitations of your PROFIBUS system.

- **PROFIBUS DP port**
- **Auto Detects data rate**
- **DIN Rail Mounting**
- **Software Configurable**
- **Configuration port**
- **Configurable Data Assemblies**



### Technical Data

#### PROFIBUS Port

Protocol	PROFIBUS DP (Slave Device)
Function	Connection of the MLC 9000+ system to a PROFIBUS DP Master Device
Configuration	Data Rate auto detected by BCM from 9.6kbps, 19.2kbps, 45.4kbps, 93.75kbps, 187.5kbps, 500kbps, 1.5Mbps, 3Mbps, 6Mbps and 12Mbps. Profibus Address 0 – 126 (Default = 126). Configured using the MLC9000+ Configurator software, via the configuration port
I/O Size	Dependant on Data Assembly Configuration. Maximum 256 (total) bytes of input/output data limited by PROFIBUS
Messaging Supported	Cyclic and Acyclic messages
GSD/GSE File	The GSD/GSE file is defined by the MLC 9000+ configuration software
Connector	9-way D-Type
Diagnostics	Two Colour LED, indicating On/Off-line, Self Test, Bus Fault and Communication Status

#### Configuration Port

Protocol	West PC Configuration protocol only
Function	Communicates with West MLC 9000+ Configuration Software
Diagnostics	Three colour LED, indicating Power Fail, Bus Alarm & Communications Status
Connector	6-way RJ11 Type

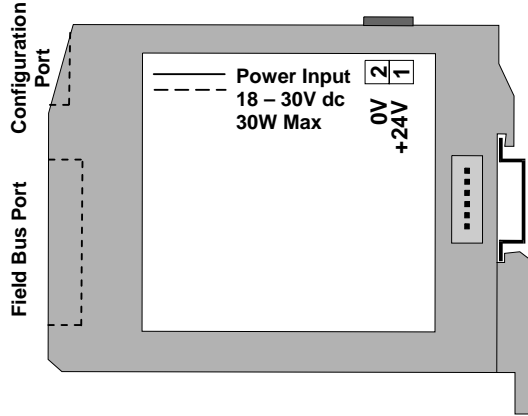
#### Physical

Dimensions	Height: 100mm, Width: 30mm, Depth: 120mm
Mounting	Directly fitted onto 35mm Top-Hat DIN mounting rail (EN50022, DIN46277-3)
Weight	0.21kg

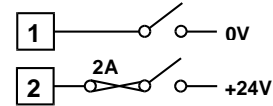
#### Operating & Environmental

Temperature & RH	0 to 55°C (-20 to 80°C storage), 30% to 90%RH non-condensing
Power Supply	18 to 30Vdc (inc ripple), 30W Max
Power Connector	2-way 5.08mm Combicon type
Protection	IEC IP20. Designed for installation in an enclosure which is sealed against dust and moisture
Approvals and Certification	EMC: Certified to EN61326. Safety: Complies with EN61010 and UL 3121-1, awaiting approval from PROFIBUS

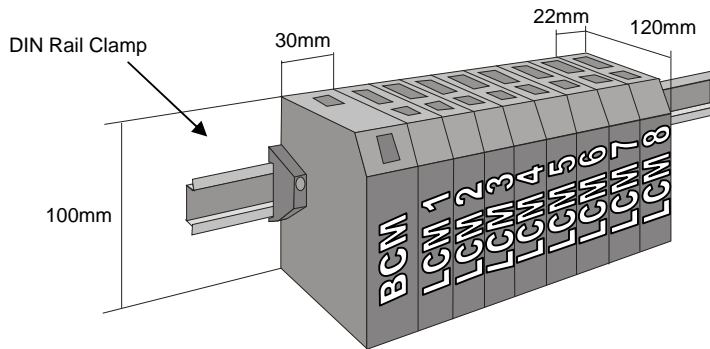
### Connection Details



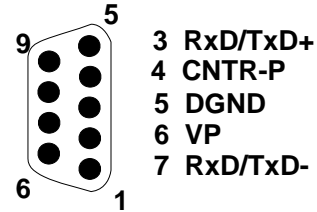
### Power Connections



### System Dimensions



### Fieldbus Connections



### Data Assemblies

Using the MLC 9000+ configuration software the user can define a collection of parameters (data assemblies) for communication via cyclic messaging. This allows the user to fully customise the communication interface to the MLC 9000+ system. The user drags and drops the required parameters into the data assemblies area a GSD file is then created for use with your PROFIBUS master device.

### Order Code

**MLC 9000-BM240-PB**

**Bus Module with PROFIBUS & Configuration Port**

In accordance with our policy of continuous improvement, we reserve the right to change specifications from those shown in this document.