

MLC 9000+ DeviceNet Bus Module



The DeviceNet Bus Module is part of the MLC 9000+ DIN-Rail mounted multiple loop PID control system. The Bus Module is the supervisor in the MLC 9000+ system and manages the communication with up to 8 single or multiple Loop Modules and the DeviceNet network. Systems larger than 32 loops can be built using multiple Bus Modules, within the limitations of your DeviceNet system.

- **DeviceNet port**
- **Supports up-to 500kbps**
- **DIN Rail Mounting**
- **Software Configurable**
- **Configuration port**
- **Configurable Data Area**



Technical Data

DeviceNet Port

Protocol	DeviceNet (Class 2 Slave Device)
Function	Connection of the MLC 9000+ system to a DeviceNet Master Device
Configuration	Data Rate 125kbps, 250kbps or 500kbps. MAC ID 0 – 63 (Defaults 125kbps, ID 63). Configured using the MLC 9000+ Configurator software, via the configuration port
I/O Size	Dependant on Data Assembly Configuration. Maximum 256 bytes (total) of input/output data limited by DeviceNet
Messaging Supported	I/O messages and Explicit messages
EDS File	The EDS file is defined by the MLC 9000+ Configuration software
Connector	5-way 5.08mm combicon type
Diagnostics	Two Colour LED, indicating On/Off-line, Self Test, Bus Fault and Communication Status

Configuration Port

Protocol	West PC Configuration protocol only
Function	Communicates with West MLC 9000+ Configuration Software
Diagnostics	Three colour LED, indicating Power Fail, Bus Alarm & Communications Status
Connector	6-way RJ11 Type

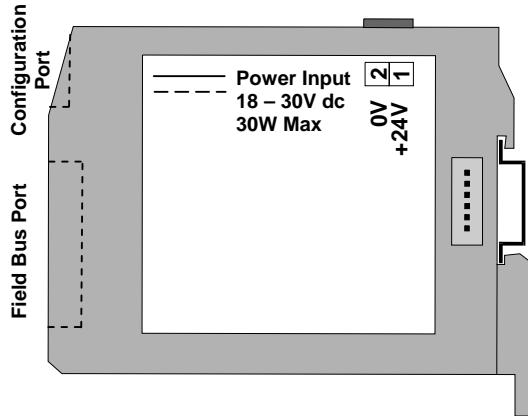
Physical

Dimensions	Height: 100mm, Width: 30mm, Depth: 120mm
Mounting	Directly fitted onto 35mm Top-Hat DIN mounting rail (EN50022, DIN46277-3)
Weight	0.21kg

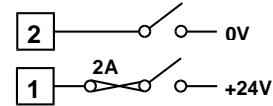
Operating & Environmental

Temperature & RH	0 to 55°C (-20 to 80°C storage), 30% to 90%RH non-condensing
Power Supply	18 to 30Vdc (inc ripple), 30W Max
Power Connector	2-way 5.08mm Combicon type
Protection	IEC IP20. Designed for installation in an enclosure which is sealed against dust and moisture
Approvals and Certification	EMC: Certified to EN61326. Safety: Complies with EN61010 and UL 3121-1, awaiting approval from ODVA

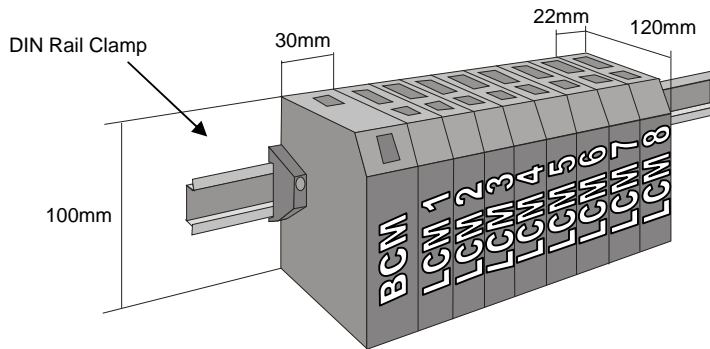
Connection Details



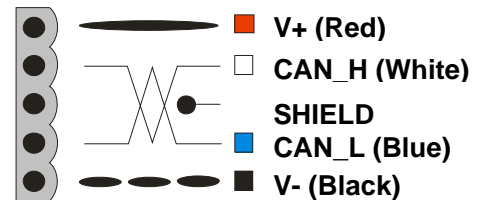
Power Connections



System Dimensions



DeviceNet Connections



Data Assemblies

Using the MLC 9000+ configuration software the user can define a collection of parameters (data assembly) for communication via I/O messaging. This allows the user to fully customise the communication interface to the MLC 9000+ system. The user drags and drops the required parameters into the data assembly area an EDS file is then created for use with your DeviceNet master device.

Order Code

MLC 9000-BM230-DN Bus Module with DeviceNet & Configuration Port

In accordance with our policy of continuous improvement, we reserve the right to change specifications from those shown in this document.

MLC 9000+ DeviceNet Bus Module – 05/04