

## MLC 9000+ CANopen Bus Module



The CANopen Bus Module is part of the MLC 9000+ DIN-Rail mounting PID control system. The Bus Module is the supervisor in the MLC 9000+ system and manages the communication with up to 8 single or multiple Loop Modules and the CANopen network. Systems larger than 32 loops can be built using multiple Bus Modules, within the limitations of your CANopen system.

- **CANopen port**
- **Supports up-to 1024kbps**
- **DIN Rail Mounting**
- **Software Configurable**
- **Configuration port**
- **Configurable Data Assemblies**



### Technical Data

#### CANopen Port

|                     |  |
|---------------------|--|
| Protocol            | CANopen (Slave Device)   |
| Function            | Connection of the MLC 9000+ system to a CANopen Master Device  |
| Configuration       | Data Rate 125kbps, 250kbps, 500kbps or 1024kbps. Node ID 1 – 127 (Defaults 125kbps, Node ID 1). Configured using the MLC 9000+ Workshop software, via the configuration port |
| I/O Size            | Dependant on Data Assembly Configuration. Maximum 256 bytes (total) of input/output data limited by CANopen  |
| Messaging Supported | Up to 64 Asynchronous PDO's, 1 SSDO  |
| EDS File            | The EDS file is defined by the MLC 9000+ Workshop Configuration Software   |
| Connector           | 5-way 5.08mm combicon type   |
| Diagnostics         | Two Colour LED, indicating On/Off-line, Self Test, Bus Fault and Communication Status  |

#### Configuration Port

|             |  |
|-------------|--|
| Protocol    | West PC Configuration protocol only  |
| Function    | Communicates with West MLC 9000+ Workshop Configuration Software           |
| Diagnostics | Three colour LED, indicating Power Fail, Bus Alarm & Communications Status |
| Connector   | 6-way RJ11 Type  |

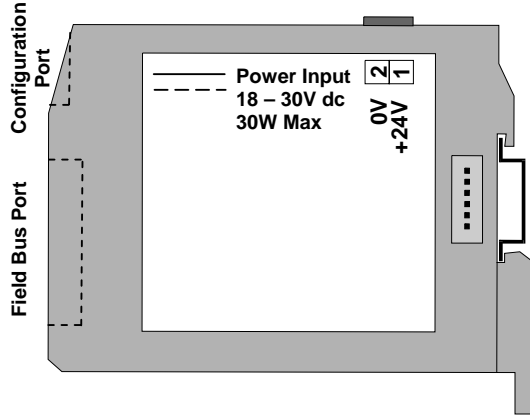
#### Physical

|            |   |
|------------|---|
| Dimensions | Height: 100mm, Width: 30mm, Depth: 120mm                                  |
| Mounting   | Directly fitted onto 35mm Top-Hat DIN mounting rail (EN50022, DIN46277-3) |
| Weight     | 0.21kg  |

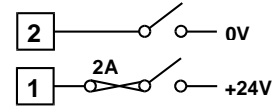
#### Operating & Environmental

|                             |  |
|-----------------------------|--|
| Temperature & RH            | 0 to 55°C (-20 to 80°C storage), 30% to 90%RH non-condensing                                       |
| Power Supply                | 18 to 30Vdc (inc ripple), 30W Max  |
| Power Connector             | 2-way 5.08mm Combicon type   |
| Protection                  | IEC IP20. Designed for installation in an enclosure which is sealed against dust and moisture      |
| Approvals and Certification | EMC: Certified to EN61326. Safety: Complies with EN61010 and UL 3121-1, awaiting approval from CiA |

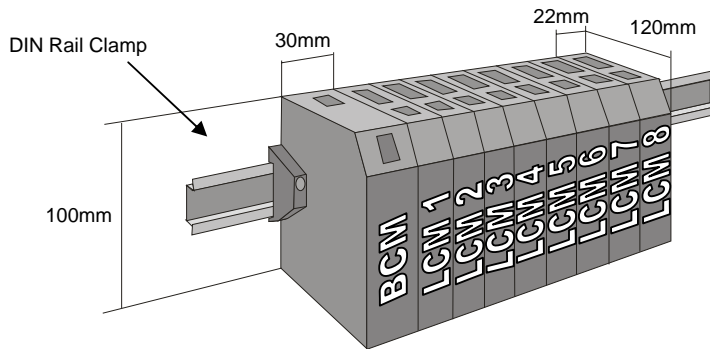
### Connection Details



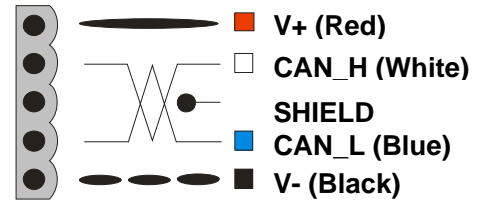
### Power Connections



### System Dimensions



### CANopen Connections



### Data Assemblies

Using the MLC 9000+ configuration software the user can define a collection of parameters (data assembly) for communication via Asynchronous PDO messaging. This allows the user to fully customise the communication interface to the MLC 9000+ system. The user drags and drops the required parameters into the data assemblies an EDS file is then created for use with your CANopen master device.

### Order Code

**MLC 9000-BM230-CO** BCM with CANopen & Configuration Ports

In accordance with our policy of continuous improvement, we reserve the right to change specifications from those shown in this document.