

# 3800 Series – Pressure Transmitter

- ▶ FM and ATEX Approvals for Hazardous Locations
- ▶ 0 to 10,000 PSI (0 to 689 bar)
- ▶ Field Adjustable – 5:1 Turndown
- ▶ Compact, 316 Stainless Steel, Hermetically Sealed Enclosure
- ▶ 17-4 Stainless Steel Sensor, No O-Ring
- ▶ Dual Seal Approval
- ▶ Flush Mount Option Available

The 3800 Pressure Transmitter is a compact loop-powered (4-20 mA) transmitter, with a low power 1-5 VDC option also available. Its rugged construction makes cost of ownership low and it carries a three-year warranty. The 3800 Pressure Transmitter is suitable for hazardous locations and hostile environments. It meets applications where dependable, continuous monitoring is preferred. Zero and span are field adjusted via Gems calibration kit with USB communication cable.

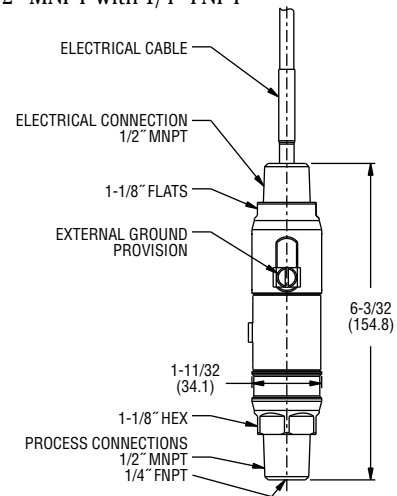
## Specifications

<b>Pressure Range</b>	0 to 10,000 psi
<b>Over Pressure</b>	
0-100 psi	3x FSPR
Up to 10,000 psi	2x FSPR
<b>Burst Pressure</b>	
0-100 thru 0-250 psi	40x FSPR
0-500 thru 0-1,000 psi	20x FSPR
0-2,500 psi	10x FSPR
0-5,000 psi	8x FSPR
0-10,000 psi	4x FSPR
<b>Performance</b>	
Long Term Stability	≤±0.5% URL/year
Accuracy	±0.25% URL (BFSL) Linearity, Hysteresis and Repeatability
Response Time	≤5 ms
Turndown	5:1 (2:1 for 100 psi range)
<b>Temperature Ranges</b>	
Compensated	-40°F to +176°F (-40°C to +80°C)
Ambient	-40°F to +176°F (-40°C to +80°C)
Process	-40°F to +194°F (-40°C to +90°C)
Storage	-40°F to +194°F (-40°C to +90°C)
<b>Electrical</b>	
Supply Voltage	8-30 VDC
Output	4-20 mA or 1-5 VDC (27 mW ± 5 mW @ 9 VDC)
Loop Resistance	800 Ohms @ 24 VDC
Circuit Protection	Reverse polarity and EMI/RFI protected
<b>Connection</b>	
Conduit Size	1/2" MNPT
Termination	18 AWG shielded cable, 6-feet (1.8 m)
<b>Mechanical Configuration</b>	
Wetted Parts	17-4 PH Stainless Steel
Enclosure	316 Stainless Steel (CF8M)
Approvals	FM, ATEX, CE
Weight	1.8 lbs. (0.8 kg)

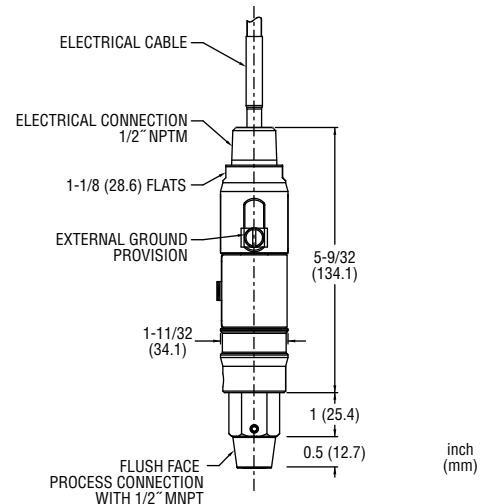


## Dimensions

1/2" MNPT with 1/4" FNPT



Flush Mount – 1/2" MNPT



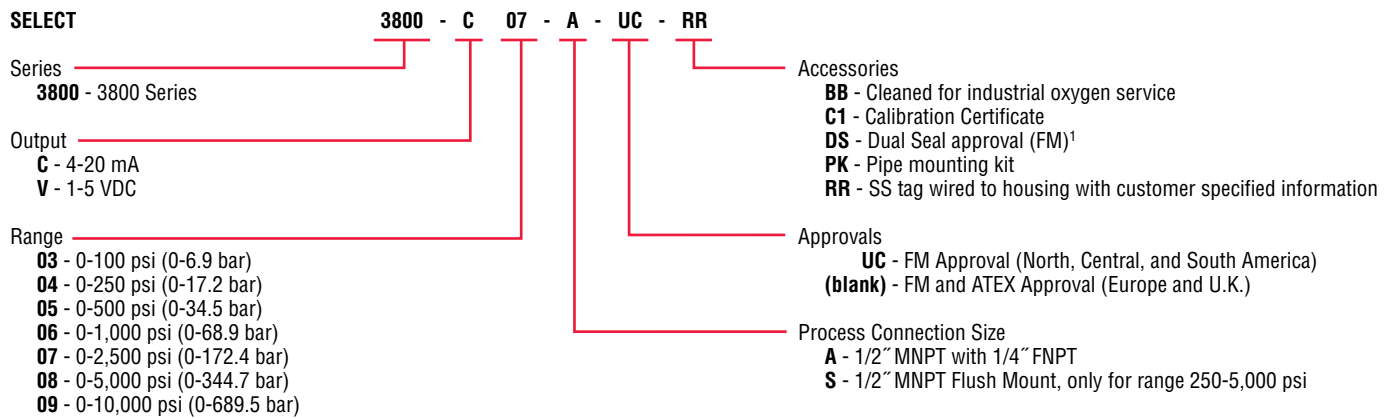
## Agency Approvals

Approved*	Safety Method	Approval
FM (U.S. and Canada)	Explosion Proof Hazardous Locations	Class I, II, III; Division 1 Groups A-G; T5; Type 4X
	Non-incendive	Class I, II, III; Division 2 Groups A-G; T5; Type 4X
ATEX	Flameproof	II 2 G Ex d IIC T5 IP 66

\* Product holds a Canadian Registration Number (CRN) in all provinces.

## How to Order

Use the **bold** characters from the chart below to construct a product code.



Note:

1. Dual Seal version is not hermetically sealed.

For field adjustability, a Calibration Kit is required. Calibration Kit includes hardware and software. Contact Gems for additional information. P/N 9231503