

PS72 – General Purpose Mini Pressure Switches

- ▶ 10 to 750 psi (0.7 to 51.7 bar)
- ▶ Adjustable or Factory Set
- ▶ Minimal Set Point Change at Low Temperature Extremes

These versatile microswitch based pressure switches are designed for medium pressure OEM applications. They offer all the performance of our proven PS71 model with the low temperature capability of Kapton®.

Specifications

Switch	SPST; SPDT
Repeatability	See Table 1
Wetted Parts	
Housing	Zinc-Plated Steel (316L stainless steel and brass available)
Diaphragm	Kapton® (polyimide)
O-Ring	Nitrile (other materials available)
Electrical Termination	DIN 43650A IP65; Spade Terminals IP00; Flying Leads IP65; Conduit with Flying Leads IP65; IP option IP66
Proof Pressure	3000 psi (207 bar)
Burst Pressure	6000 psi (414 bar)
Approvals	CE, UL Approved units available
Weight, Approximate	Steel: 0.4 lbs. (0.15 kg)

Recommended Operating Temperature Limits

Options Selected	Temperature
-RD	-40°F to +250°F (-40°C to +121°C)
No Options	-40°F to +185°F (-40°C to +85°C)
-SP or -10A	-40°F to +212°F (-40°C to +100°C)

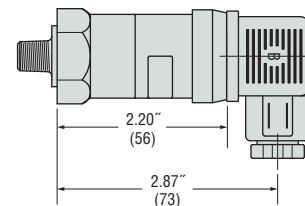
Electrical Switch Ratings

Options Selected	AC	DC
No option or -RD	5 amps @ 125/250 Volts	5 amps resistive, 3 amps inductive @ 28 Volts
-G only or -RD with -G	1 amp @ 125 Volts	1 amp resistive, 0.5 amp inductive @ 28 Volts
-10A only or -SP without -G	10.1 amps @ 125/250 Volts	—
-SP with -G	2 amps @ 125/250 Volts	—

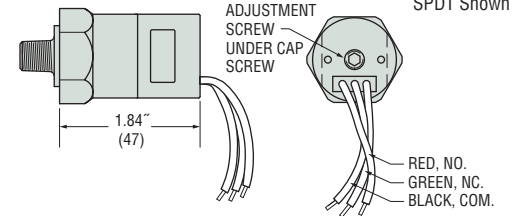


Dimensions

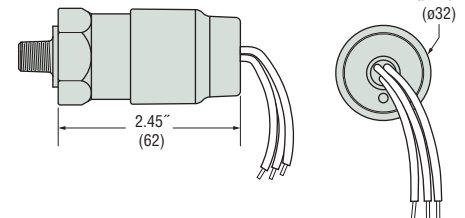
DIN 43650A with Cable Clamp



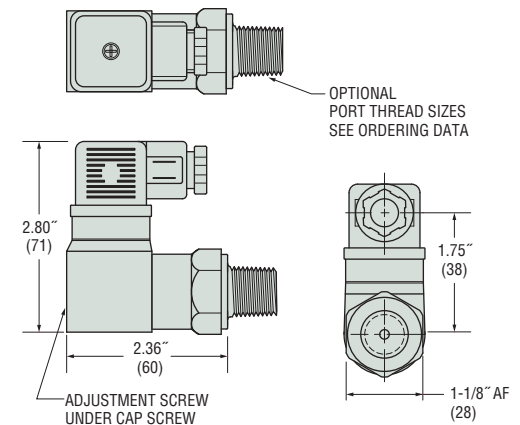
Flying Lead



IP66 Option



Right Angle DIN 43650A with Cable Clamp



How To Order

Use the **Bold** characters from the chart below to construct a product code. Please reference Notes.



1 Pressure Range Code

Insert Pressure Range Code from Table 1, below.

2 Pressure Fitting¹

12L14 Zinc-Plated Steel

- 2MNZ = 1/8" NPTM
- 4MNZ = 1/4" NPTM
- 2MGZ = 1/8" BSPM (G type)
- 4MGZ = 1/4" BSPM (G type)
- 4MSZ = 7/16"-20 SAE Male
- 6MSZ = 9/16"-18 SAE Male

316 Stainless Steel

- 2MGS = 1/8" BSPM (G type)
- 4MNS = 1/4" NPTM
- 4MGS = 1/4" BSPM (G type)

3 Circuit

- A = SPST/N.O.
- B = SPST/N.C.
- C = SPDT

4 Electrical Termination

- SP = Spade Terminals²
- FLXX = Flying Leads³
- FLSXX = Flying Leads w/PVC Shrink Tubing³
- ELXX = 1/2" NPT Male Conduit w/Flying Leads⁴
- CABXX = 18 AWG PVC Cable⁵
 - H = DIN 43650A Male Half Only⁶
 - HR = Right Angle DIN 43650A Male Half Only⁶
 - HC = DIN 43650A 9mm Cable Clamp⁶
 - HCR = Right Angle DIN 43650A 9mm Cable Clamp⁶
 - HN = DIN 43650A with 1/2" Female NPT Conduit⁶
 - HNR = Right Angle DIN 43650A with 1/2" Female NPT Conduit⁶

5 Options⁷

- 10A = 10A @ 125/250 VAC Max. Rating
- G = Gold Contacts (for loads less than 12 mA @ 12 VDC)
- RD = Reduced Differential (25% reduction typical)
- IP = Ingress Protection⁸
- OF = Oil Free Cleaned⁹
- R = Restrictor (low damping coefficient) Brass
- SR = Spiral Restrictor (high damping coefficient) 300 Series Stainless Steel¹⁰
- WF = Weather Pack Connector, Female
- WM = Weather Pack Connector, Male
- DE = Deutsch Connector, Male, DT04 Series

6 Fixed Set Point (optional)

- A. Specify set point **-FS** (in PSI or BAR, see example)¹¹
 - B. Set Point Actuation
 - R** on Rising Pressure
 - F** on Falling Pressure
- Example: **-FS2BARF** for 2 BAR Falling or **-FS20PSIR** for 20 PSI Rising

Notes:

1. Other fittings available. Consult factory.
2. Requires **-10A** or **-G** option. (20% increase in deadband typical)
3. 1/8" is standard. Specify lead length in inches (max. 48"). e.g. **-FL18** or **-FLS30**.
4. 1/8" is standard. Specify lead length in inches (max. 48"). e.g. **-EL18** or **-EL30**.
5. 36" is minimum. Specify cable length in inches. e.g. **-CAB36** or **-CAB120**.
6. DIN connectors require **-C** SPDT circuit.
7. Options **-10A**, **-G** or **-RD** cannot be combined.
8. Ingress Protection is available only with **-FL**, **-FLS** or **-CAB** Electrical Termination choices. Ingress Protection requires Fixed Set Point **-FS**.
9. Requires stainless steel housing.
10. **-SR** will result in wider deadbands and slower response times.
11. Set Point must be within Pressure Range selected in Step 1.

Table 1 — Pressure Range Codes

Pressure Range Code	Pressure Range	Accuracy	Average Deadband*
10	10-30 psi (0.7-2.1 bar)	±1.5 psi (0.103 bar) +3% of setting	3.5 psi (0.28 bar) +12% of setting
20	25-75 psi (1.7-5.2 bar)	±2.5 psi (0.172 bar) +3% of setting	3.5 psi (0.28 bar) +12% of setting
30	65-300 psi (4.5-20.7 bar)	±5.0 psi (0.345 bar) +3% of setting	20 psig (1.38 bar) +12% of setting
40	250-750 psi (17.2-51.7 bar)	±15 psi (1.03 bar) +3% of setting	45 psig (3.10 bar) +13% of setting

* These numbers are for the standard microswitch. With either the **-SP** or **-10A** option, the values are typically 20% greater than those listed. With the **-RD** option, the values will be typically 25% less than those listed. In certain applications deadband can be tailored and controlled to customer specifications. Consult factory for details.