

FS-400P Series - Low Cost Units for Plastic Piping

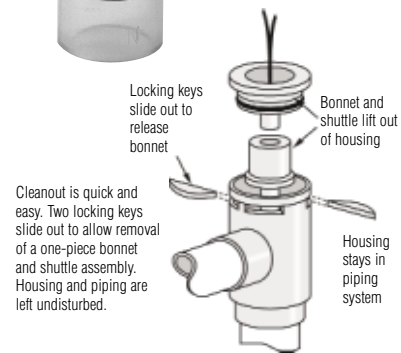
SHUTTLE TYPE

Flow Rate Settings: 1.9 l/min to 7.6 l/min
 Port Size: 3/4" or 1" IPS
 Primary Construction Material: Clear PVC
 Setting Type: Fixed

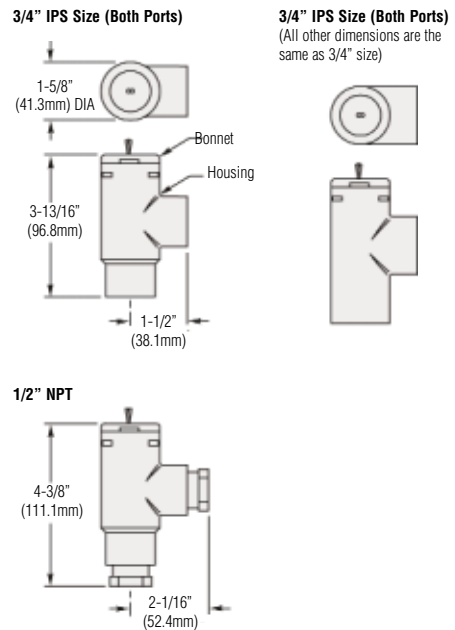
Designed for low cost flow/no flow monitoring. This series is available with a clear transparent PVC housing which is ideal for use where visual flow confirmation is desirable. These corrosion-resistant switches offer broad chemical compatibility. With only one moving part, their rugged construction offers long life with minimum maintenance. Ideal for water heating or purification, equipment cooling and general chemical processing use.

Specifications

Materials	
Housing, shuttle and bonnet	PVC
O-Ring	Buna N
Other wetted parts	Epoxy
Operating pressure, maximum	8 bar at +21°C to +37.8°C 3.5 bar at +38.3°C to +48.9°C
Operating temperature, maximum clear version	+48.9°C
Set point accuracy	± 20%
Set point differential	±20% maximum
Switch	SPST 20VA, N.O. at no flow
Inlet/outlet ports	3/4" or 1" IPS and 1/2" NPT
Mounting attitude	Vertical, inlet down
Electrical termination	No. 22 AWG, 0.6m L., PVC lead wires



Dimensions (in mm)



How to Order - Standard Models

Specify Part Number based on material and port size

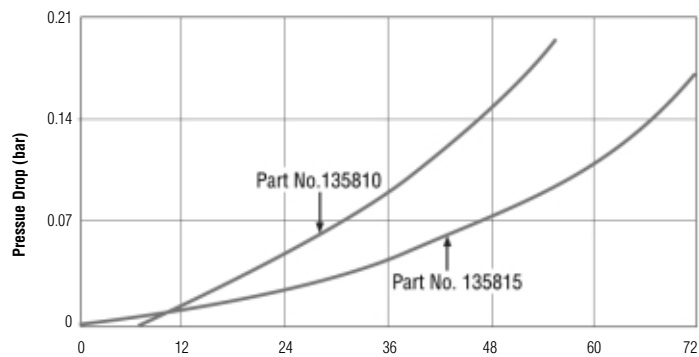
PVC Material	Port Size	Actuation on Increasing Flow	Part Numbers
Clear	1/2" NPT*	1.9 L/M ±20%	135805
	3/4" IPS	1.9 L/M ±20%	135810
	1" IPS	7.6 L/M ±20%	135815

* 3/4" IPS model with 1/2" NPT port adapter installed.

Notes:

- Care should be taken by specifiers to ensure fluid compatibility with the above listed wetted materials.
- Use of 150 micron filtration is recommended.

Pressure Drop - Typical



FLOW RATE - L/M

Tests conducted with units in vertical position (lead wires up) with water at 21°C

FLOW SWITCHES

www.gems-sensors.co.uk