

FS-400 3.0 - 37.5 (l/min) with pre-adjusted set points

FS-400A 3.0 - 53.0 (l/min) variable adjustment of set points

The FS-400 and FS-400-Adjustable switches provide 1% repeatability. The unit may be fitted instead of a pipe elbow where space is at a premium.

Specifications (All pressure data related to water at +20°C)

Max. flow	55 l/min
Max. operating pressure	27 bar
Proof pressure	45 bar
Temperature range	- 20 °C...+150 °C
Set points	see order numbers
Switching function (related to increasing flow)	SPDT
Mounting position	any position
Factory mounting position with set point adjustment	vertical, inlet port down, electrical connection up
Repeatability	± 1%
Adjustment accuracy	± 5%
Hysteresis	max. 15%
Mounting	3/4" NPT
Electrical connection	- lead wire: FEP, 3 x 0.6 mm ² (length: approx. 1 m) - terminal box option see page FS-200
Enclosure	- IP 44 (with lead wire) - IP 54 (with terminal box)
Electrical data contact rating	SPDT max. 20 VA, 0.5 A, 250 V~
Weight	0.8 kg

Order numbers for FS-400

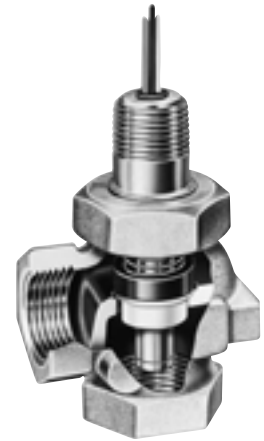
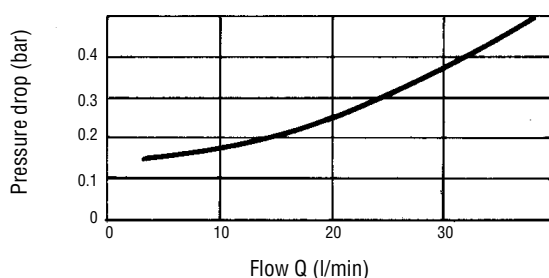
Set points (l/min)	Order number
3.0	022-6440
6.0	022-6441
7.0	022-6442
9.5	022-6443
19.5	022-6444
28.5	022-6445
37.5	022-6446

Order numbers for FS-400A

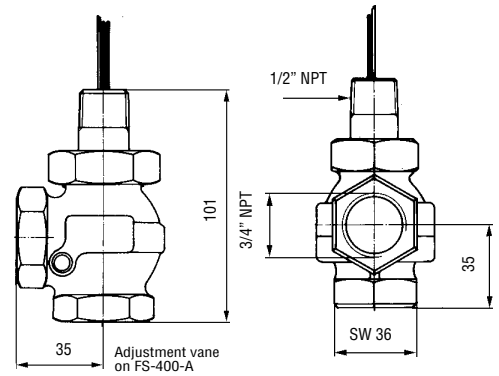
Adjustment range (l/min)	Order number
3.0 ... 15.0	022-6600
7.5 ... 30.0	022-6601
26.5 ... 53.0	022-6602

*Order numbers are valid for units with the electrical connection "lead wire". If you need a unit with the electrical connection "terminal box", please select the respective "lead wire" order number and add: "...with mounted terminal box 912-0615 or 912-0625". See drawing (page FS-200)

Pressure drop diagram (at min. set point adjustment)



Dimensions (in mm)



- Housing: Bronze
- Disc: Stainless Steel
- O-Ring: Viton®
- Spring: Stainless Steel
- Magnet: PTFE/Ceramic

Wiring diagram

