

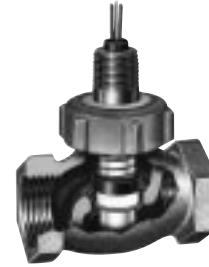
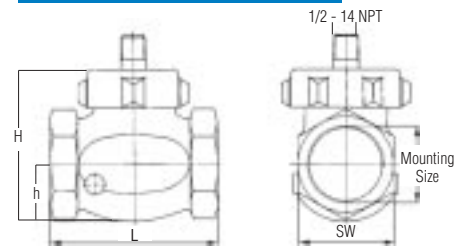
## FS-200 2.0 - 190 (l/min) with pre-adjusted set points

The FS-200 range of flow switches offer accurate flow detection, with 1% repeatability, with a wide range of flow and port sizes. The durable construction delivers long life repeatability in either water or oil. The design of large flow paths keep pressure drop low, thus are ideal for detection of flow in high volume lubrication, cooling or process applications.

**Specifications**

(all data related to water at +20°C)

<b>Max. flow</b>	see order numbers
<b>Max. operating pressure</b>	27 bar at +20 °C
<b>Proof pressure</b>	45 bar
<b>Temperature range</b>	- 20 °C...+150 °C
<b>Set points</b>	see order numbers
<b>Switching function (related to increasing flow)</b>	SPDT
<b>Factory calibration position</b>	horizontal, electrical connection up
<b>Mounting orientation</b>	any position
<b>Repeatability</b>	±1%
<b>Adjustment accuracy</b>	±10%
<b>Hysteresis</b>	max. 15%
<b>Mounting</b>	1" NPT...2" NPT (see "dimensions" and "order number")
<b>Electrical connections</b>	- lead wire: Polymeric, 18 AWG (length: approx. 0.6m)
<b>Enclosure</b>	- IP 44 (with lead wire) - IP 54 (with conduit box IP65 [with K6])
<b>Electrical data contact rating</b>	20 VA; 0,5 A; 250 V~
<b>Weight</b>	see "dimensions"


**Dimensions (in mm)**


Housing: Bronze or Stainless Steel  
 Disc: Stainless Steel  
 Spring: Stainless Steel  
 O-Ring: Viton®  
 Magnet: PTFE/Ceramic

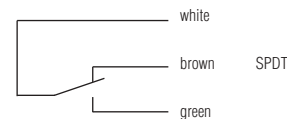
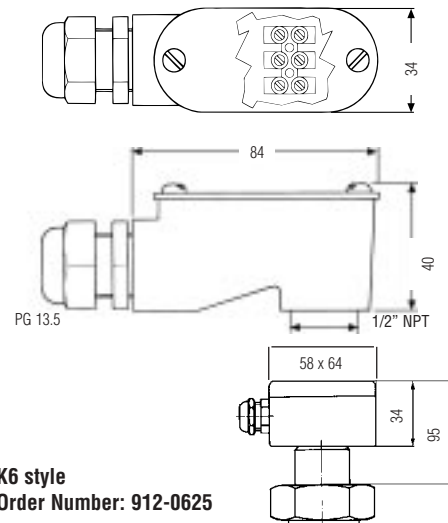
Mounting D	1" NPT	1 1/4" NPT	1 1/2" NPT	2" NPT
L	83	115	115	150
h	26	30	35	44
SW	42	53	62	72
H	71	83	98	118
Approx. weight	1.2 kg	1.8 kg	2.5 kg	4.0 kg

**How to Order**

Set point (l/min)	Mounting	Max. flow (l/min)	Order number Housing Bronze	Order number Housing Stainless Steel
2.0 4.0	1" NPT	80	27051	27059
7.5 11.5			27052	27060
15.0 19.0			27053	27061
22.5 30.0			27054	27062
			27055	27063
			27056	27064
27057	27065			
27058	27066			
4.0 7.5	1 1/4" NPT	140	27067	27076
15.0 22.5			27068	27077
30.0 37.5			27069	27078
			27070	27079
			27071	27080
			27072	27081
45.0 60.0 75.0	1 1/2" NPT	200	27073	27082
6.0 11.5			27074	27083
19.0 28.5			27075	27084
37.5 57.0			27085	27093
75.0 115.0			27086	27094
			27087	27095
	27088	27096		
	27089	27097		
	27090	27098		
	27091	27099		
	27092	27100		
7.0 15.0	2" NPT	350	27101	27109
19.0 37.5			27102	27110
57.0 95.0			27103	27111
			27104	27112
			27105	27113
			27106	27114
132.5 190.0			27107	27115
			27108	27116

**Pressure Drop Diagram**

see previous page

**Wiring Diagram**

**Terminal boxes**
**Conduit style Order Number: 912-0615**

**K6 style Order Number: 912-0625**

\*Order numbers are valid for units with the electrical connection "lead wire". If you need a unit with the electrical connection "terminal box", please select the respective "lead wire" order number and add: "...with mounted terminal box 912-0615 or 912-0625. See drawing (previous page)