

FS-105E 0.005 - 150 l/min with adjustable set-points

FS-107E 0.1 - 90 l/min Viscosity Compensated with adjustable set-points

FLOW SWITCHES

PISTON TYPE

The FS-105E model operates in any mounting position. It is equipped with a calibrated piston which is displaced by flow to magnetically actuate a sealed hermetic reed switch. When flow decreases a positive spring returns the piston to its prior position and de-actuates the reed switch. The reed switch assembly is movable to allow for customer setting of flow rate within the limits of the switch selected. The adjustment does not effect the flow path, therefore pressure drop is not influenced when changing set-points. Versions available are for Liquid flow only. Robust components allow a pressure of 250 bar, ideally suited for high pressure cleaning and lubrication systems.

The FS-107E model operates in any mounting position. It is equipped with a calibrated piston in a calibrated orifice for viscosity compensation over 1 to 600 cSt. The piston is displaced by flow to magnetically actuate a sealed hermetic reed switch. When flow decreases a positive spring returns the piston to its prior position and de-actuates the reed switch. The reed switch assembly is movable to allow for customer setting of flow rate within the limits of the switch selected. The adjustment does not effect the flow path, therefore pressure drop is not influenced when changing set-points. Robust components allow a pressure of 250 bar, ideally suited for high pressure lubrication systems.

FS-105E

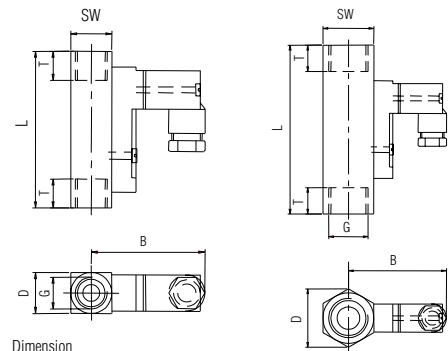


FS-107E



FS-107E shown with visual indication

Dimensions (in mm)



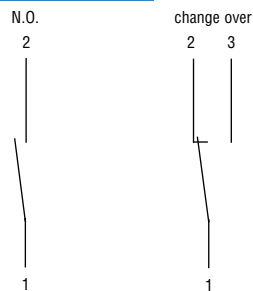
Dimension	SW	D	B	G	T	L
	17	17	47	1/4	10	65
	27	31	52	1/2	14	90
	41	47	72	1	17	130

Dimension	SW	D	B	G	T	L
	27	31	52	1/2	14	90
	41	47	72	1	17	130

Housing Nickel plated Brass
Piston Brass
Spring Stainless Steel

Meter 17mm wide

Wiring Diagram



Specifications

	FS-105E	FS-107E
Max flow	100% above max. set-point range	100% above max. set-point range
Max operating pressure	250 bar	250 bar
Pressure drop	0.02 to 0.4 bar	0.02 to 0.4 bar
Operating temperature	-20° to 120°C	-20° to 120°C
Adjustable range	see order number	see order number
Switching function	NO with no flow, SPDT available	NO with no flow, SPDT available
Mounting orientation	Any position	Any position
Repeatability	1% of range	1% of range
Adjustment scale accuracy	+/- 10%	+/- 5%
Hysteresis	max 20%	max 20%
Mountings	G1/4, G1/2, G1	G1/2, G1
Electrical connection	Din 43650, Mini for G1/4, G1/2, Std for G1	Din 43650
Enclosure	IP 65	IP 65
Electrical contact rating	NO - 250V, 1A, 100VA - G1 port NO - 220V, 1A, 100VA - G1/2 port NO - 200V, 1A, 20VA - G1/4 port SPDT - 250V, 1.5A, 50VA - G1, G1/2 SPDT - 200V, 1A 20VA - G1/4 port	NO - 250V, 3A, 100VA - G1 port NO - 220V, 1A, 100VA - G1/2 port
Weight (approx)	G1/4 - 140g, G1/2 - 350g, G1 - 1000g	

How to Order

Order numbers for FS-105E

Adj Range L/min	Order 'NO'	Number 'SPDT'	Port
5-60 ml	027-0100	027-0120	G1/4"
20-140ml	027-0101	027-0121	G1/4"
0.1-0.6	027-0102	027-0122	G1/4"
0.2-1.2	027-0103	027-0123	G1/4"
0.4-2.0	027-0104	027-0124	G1/4"
0.5-3.0	027-0105	027-0125	G1/4"
1.0-5.0	027-0106	027-0126	G1/4"
0.02-0.2	027-0107	027-0127	G1/2"
0.2-0.6	027-0108	027-0128	G1/2"
0.4-1.8	027-0109	027-0129	G1/2"
0.8-3.2	027-0110	027-0130	G1/2"
2-7	027-0111	027-0131	G1/2"
3-13	027-0112	027-0132	G1/2"
4-20	027-0113	027-0133	G1/2"
8-30	027-0114	027-0134	G1/2"
15-45	027-0115	027-0135	G1"
30-90	027-0116	027-0136	G1"
60-150	027-0117	027-0137	G1"

Order numbers for FS-107E

Adj Range L/min	Order 'NO'	Number 'SPDT'	Port	Order No with visual indication 'NO'	Order No with visual indication 'SPDT'
0.5-1.6	027-0301	027-0321	G1/2"		
0.8-3	027-0302	027-0322	G1/2"		
2-7	027-0303	027-0323	G1/2"		
0.1-0.8	027-0304	027-0324	G1"	027-0340	027-0360
0.5-1.5	027-0305	027-0325	G1"	027-0341	027-0361
1-4	027-0306	027-0326	G1"	027-0342	027-0362
2-8	027-0307	027-0327	G1"	027-0343	027-0363
3-10	027-0308	027-0328	G1"	027-0344	027-0364
5-15	027-0309	027-0329	G1"	027-0345	027-0365
8-24	027-0310	027-0330	G1"	027-0346	027-0366
10-30	027-0311	027-0331	G1"	027-0347	027-0367
15-45	027-0312	027-0332	G1"	027-0348	027-0368
20-60	027-0313	027-0333	G1"	027-0349	027-0369
30-90	027-0314	027-0334	G1"	027-0350	027-0370

Display Scales are for Decreasing Flow

FLOW SWITCHES

www.gems-sensors.co.uk