



W-Series

Short Form Data Sheet

VACUUM

BETA products are manufactured in The Netherlands

Enclosures:

Cast Aluminum:

Oven baked powder coating
hammertone grey

**Also available in
SS 316**

Explosion-Proof IP 66 -
EN IEC 60079

(Nema 4X)

Repeatability:

typical 0.2% of Full Scale

Standard unit: Barg

Optional: PSI / Kg / Pa

Standard process connection:
1/4" NPT F or BSP F

Standard Diaphragm/O-ring:
Buna N / Buna N

For wetted parts:
more possibilities available,
see full catalogue

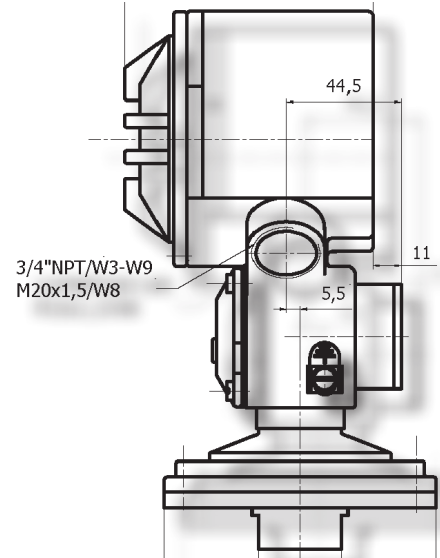
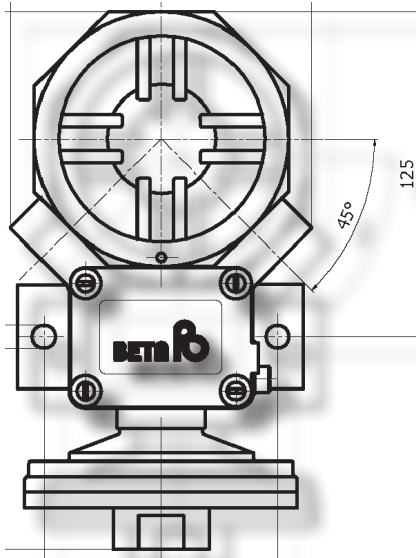
**BETA SWITCHES ARE,
BUILD TO LAST!**

Do you want to know more:

Please contact your local dealer
and ask for the General Bulletin.
Or contact us directly!



www.beta-b.nl



Ranges for Vacuum switches

RANGE CODE	ADJUSTABLE RANGE ¹⁾ (INCR. VAC. TO PRESS.)		MAX. DEADBAND (VAC. / PRESS.)		MAX. VACUUM		MAX. OVERRANGE PRESSURE		PROOF PRESSURE	
		Bar / mBar		mBar	Bar / mBar		Bar	Bar	Bar	Bar
V 301 L ²⁾	-10 to -3	mBar	1	mBar	-500	mBar	+10	Bar	+15	Bar
V 304 L	-60/0/+150	mBar	4/4/6.5	mBar	-500	mBar	+30	Bar	+35	Bar
V 404 M	-400/0/+400	mBar	16/16/25	mBar	-1	Bar	+125	Bar	+140	Bar
V 406 M	-980/0/+1000	mBar	30/30/40	mBar			+200	Bar	+600	Bar
V 506 H	-1/0/+6	Bar	80/80/25	mBar						

1) For setpoint around zero bar gauge, consult factory.

2) Only available with L1 -microswitch element. K1 possible consult factory).

Doc. no.: SP 4121/307/5K-(FC)

Disclaimer: We reserve the right to make changes or modify the contents of this document without prior notice. BETA B.V. does not accept any liability or claim whatsoever for potential errors, incorrect interpretation or possible lack of information in this document. It is clearly and only intended as course and general information of our products.

More Short Form Data Sheets on Vacuum, Differential and Temperature Switches are available.



Making the modelcode: Follow steps 1 to 5

1 Selection of enclosure type.

Conduit	Material	Enclosure code
3/4" NPT F	Aluminium	W3
M20x1.5	SS 316	W8
3/4" NPT F	SS 316	W9

2 Selection of range code, see front page

3 Selection of process connection.

Size	Material	Code
1/4"NPT F	Aluminium *	A1N
1/2"NPT F	Aluminium *	A2N
1/4"NPT F	SS316	S1N
1/2"NPT F	SS316	S2N
1/2"NPT M	SS316	S7N

Process conn. size max. 1/2"
Piston & Spring (both wetted) standard in SS 316.

Above standard process connections are also available in: "BSP"
For example: 1/2" BSP F (3316) = **S2B**

Process connections are also available in other materials like, Monel, PVC, Hastolloy, Titanium etc.

4 Selection of wetted parts*

Diaphragm	O-ring	Code
Buna N	Buna N	B1
Viton	Viton	V2
SS316	Buna N	S1
SS316	Viton	S2
SS316	Neoprene	S3
SS316	EPDM	S6
Tantalum	Buna N	T1

*** WETTED PARTS ARE NOT GUARANTEED,**

against corrosion or permeation since processes vary from plant to plant and concentration of harmful fluids, gasses or solids vary from time to time in a given process. Empirical experience by users should be the final guide and alternate materials based on this are generally available. The diaphragm / O-Ring combinations are for process temperatures of -5°C to +90°C, unless otherwise indicated. For process temperatures beyond these limits please contact your BETA Switch Representative

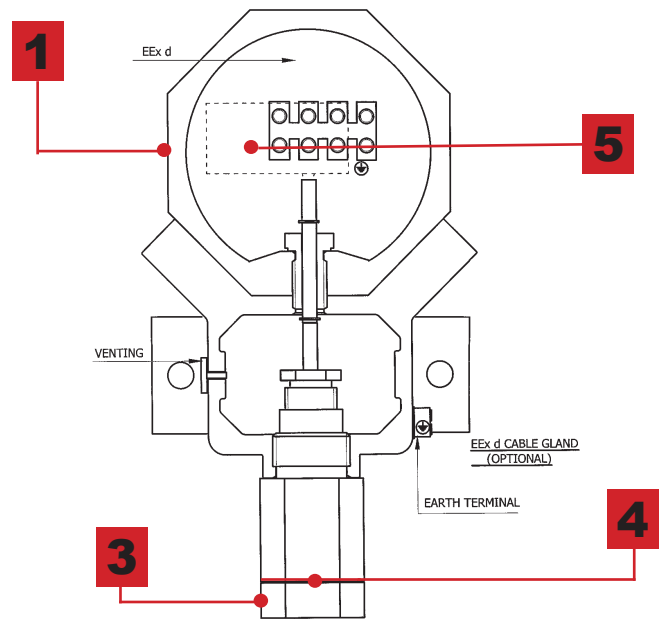
Accessoires:

2" Pipe mount bracket set available.

- Contents :
- 2 x Bracket +
 - 2 x bolts M8 x 100 mm + nut

Disclaimer :
This pipe mount bracket is solely intended for use in combination with BETA Pressure & Temperature Switches.

Foundation vibrations, as well as process vibrations, can disturb the proper functioning of the mounted instrument, the use of this bracket does not prevent or diminishes such occurrence.



5 Selection of microswitches

Rating		Use:	Switch Code: ¹⁾
VAC.	VDC. ³⁾		
480/ 15A	28/ 0.5A	Standard	K1 ²⁾
480/ 10A	28/ 0.5A	Standard for L-serie	L1 ²⁾
480/ 15A	125/ 0.5A	Normal DC-service	U1 ^{1) 2)}
125/ 1A	28/ 0.5A	For use in H ₂ S environment ³⁾ and/ or for (EEx)i applications.	G1 ^{**}
250/ 0.1A	30/ 0.1A	Environmental proof(IP 67)	Y1 ¹⁾
250/ 0.1A	30/ 0.1A		O1 ¹⁾
250/ 2A	30/ 2A		N1 ¹⁾

1) For D.P.D.T action, second code figure should be specified as "2"

For example: Y1 = S.P.D.T./ Y2 = D.P.D.T

2) VDE certified acc. to DIN EN 61 058-1:1992+A1:1993.

3) Indicated ratings are for resistive DC load only.

** DC Rating not U.L. listed, although experience and third party testing confirm the D.C Voltage ratings. Consult your local BETA switch Representative.

6 Selection of options

Description	Option code
Cable gland	C
Stainless steel tag key ringed to enclosure (Tag has 2 lines - 16 charaters per line)	S
Epoxy coating of switch. (External) Only in combination SS 316 process connection	Y

For extended selection and/ or specified technical information, please ask for the "BETA User Friendly" Catalogue.