



W-Series TEMPERATURE

BETA products are manufactured in The Netherlands

Enclosures:

Cast Aluminum:

Oven baked powder coating
hammer tone grey

**Also available in
SS 316**

Explosion-Proof IP 66 -
EN IEC 60079

(Nema 4X)

Repeatability:

typical 0.2% of Full Scale

Standard unit:

Degrees Celsius

Optional: Fahrenheit

Standard process connection:
1/2" NPT M

Standard Buld Diameter:
10 mm

For wetted parts:
more possibilities available,
see full catalogue

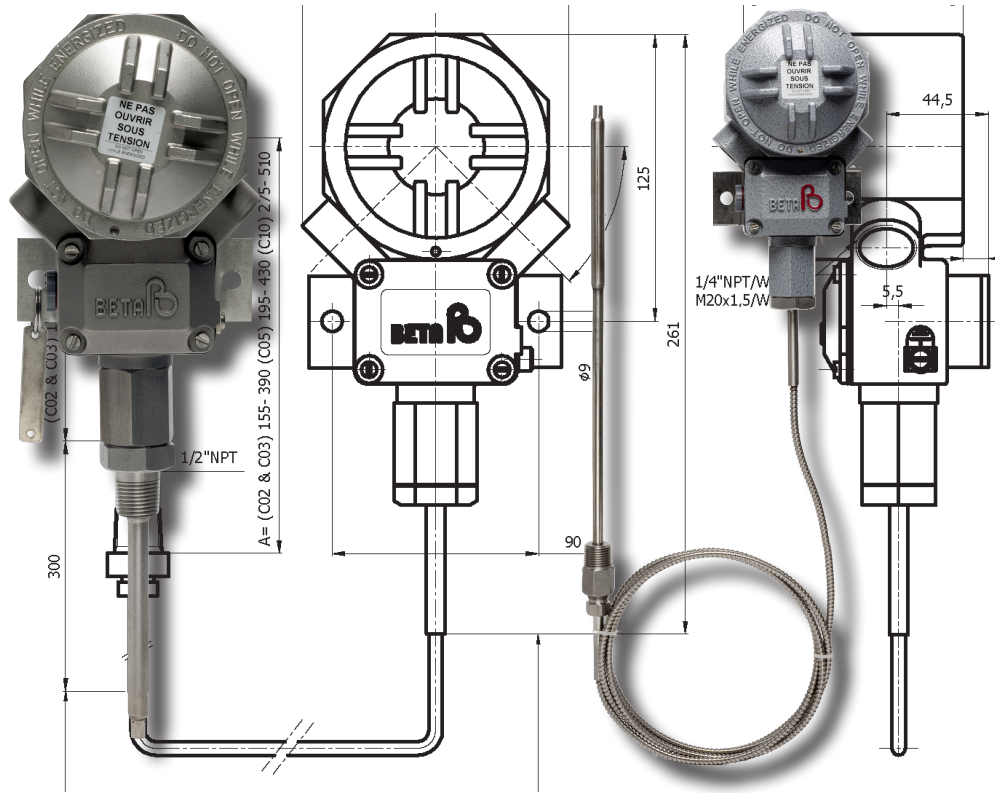
**BETA SWITCHES ARE,
BUILD TO LAST!**

Do you want to know more:

Please contact your local dealer
and ask for the General Bulletin.
Or contact us directly!



www.beta-b.nl



Ranges for Temperature switches

| RANGE CODE | ADJUSTABLE RANGE | | MAX. DEADBAND ³⁾ | | MAX. TEMPERATURE | | PROOF TEMPERATURE | | MAX. PROCESS PRESSURE | |
|-----------------------|------------------|------|-----------------------------|-----|------------------|-----|-------------------|-----|-----------------------|-----|
| | MIN | MAX | MIN | MAX | MIN | MAX | MIN | MAX | MIN | MAX |
| T 528 H | -40 | +40 | 3 | °C | +125 | °C | +200 | °C | 175 | bar |
| T 548 H | 0 | +95 | 3 | °C | +200 | °C | +250 | °C | | |
| T 568 H ¹⁾ | +60 | +180 | 3 | °C | +300 | °C | +350 | °C | | |
| T 588 H ²⁾ | +160 | +300 | 3.5 | °C | +400 | °C | +450 | °C | | |

- 1) In case process temperature > 140 °C, Direct mount sensing bulb is not recommended.
- 2) Not in combination with Direct mount sensing bulb.
- 3) For deadband calculation in combination with "SR"- and "SP"- micro, Consult Factory.



Disclaimer: We reserve the right to make changes or modify the contents of this document without prior notice. BETA B.V. does not accept any liability or claim whatsoever for potential errors, incorrect interpretation or possible lack of information in this document. It is clearly and only intended as coarse and general information of our products.

Making the modelcode: Follow steps 1 to 5

1 Selection of enclosure type.

| Conduit | Material | Enclosure code |
|------------|-----------|----------------|
| 3/4" NPT F | Aluminium | W3 |
| M20x1.5 | SS 316 | W8 |
| 3/4" NPT F | SS 316 | W9 |

2 Selection of range code, see front page

3 Selection of process connection.

| Process Connection | Code | Type of temperature sensing bulb | |
|--------------------|------------|----------------------------------|--------------------------|
| 1/2" NPT (M) | D00 | Direct mount | 128 mm length |
| | D02 | Direct mount | 225 mm length |
| | C02 | Capillary mount | 2 m. capillary length |
| | C05 | Capillary mount | 5 m. capillary length |
| | C10 | Capillary mount | 10 m. capillary length |
| | CXX | Capillary mount | Special capillary length |

Note: All SS 316 stainless steel sensor, capillary (SS 304 armored) and compression fitting.

1) Not in combination with range T588H (+160/+300 °C), not recommended with T568H in case of process temperature >140 °C.

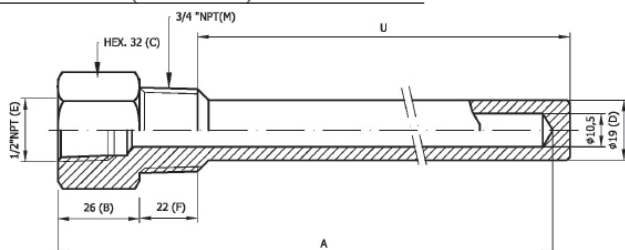
2) Length of capillary should be specified, consult your BETA Switch Representative. (Max 15 m.)

4 Selection of wetted parts

All temperature switches have "S0" welded diaphragm.

Accessoires:

Thermowell (SS 316)

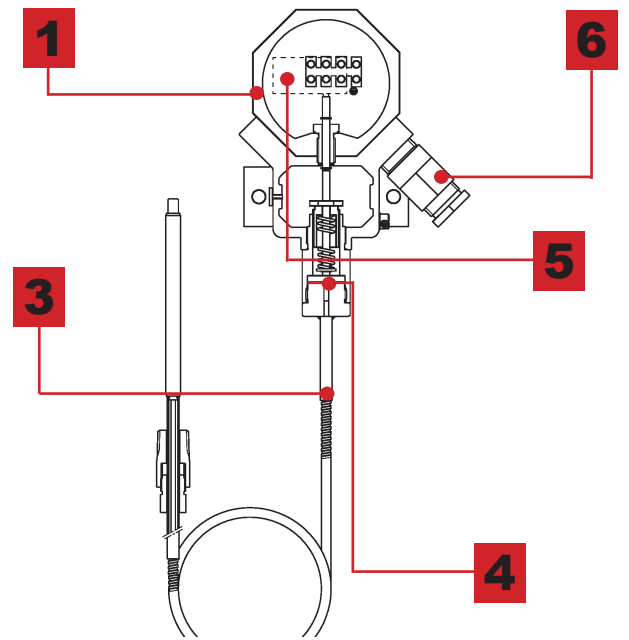


Standard BETA Thermowell

| CODE | INSERTION LENGTH U (MM) | INSERTION ELEMENT LENGTH A (MM) | FIT TO BETA TEMP. SENSING BULB |
|-------|-------------------------|---------------------------------|--------------------------------|
| TW 11 | 115 | 155 | D00, C02, C03 |
| TW 15 | 155 | 195 | C02, C03, C05 |
| TW 19 | 190 | 228 | D02, C02, C03, C05 |

NOTES:

- BETA Thermowells to be ordered as separate item. Do not include Thermowell code into the switch code.
- Special Thermowell possible. Consult your BETA Switch Representative.



5 Selection of microswitches

| Rating | | Use: | Switch Code: ¹⁾ |
|-----------|--------------------|---|----------------------------|
| VAC. | VDC. ³⁾ | | |
| 480/ 15A | 28/ 0.5A | Standard | K1 ²⁾ |
| 480/ 10A | 28/ 0.5A | Standaard for L-serie | L1 ²⁾ |
| 480/ 15A | 125/ 0.5A | Normal DC-service | U1 |
| 125/ 1A | 28/ 0.5A | For use in H ₂ S environment and/or for (EEx)j applications. ³⁾ | G1 ^{**} |
| 250/ 0.1A | 30/ 0.1A | | Y1 ¹⁾ |
| 250/ 0.1A | 30/ 0.1A | Environmental proof(IP 67) | O1 ¹⁾ |
| 250/ 2A | 30/ 2A | | N1 ¹⁾ |

1) For D.P.D.T action, second code figure should be specified as "2"

For example: Y1 = S.P.D.T./ Y2 = D.P.D.T

2) VDE certified acc. to DIN EN 61 058-1:1992+A1:1993.

3) Indicated ratings are for resistive DC load only.

** DC Rating not U.L. listed, although experience and third party testing confirm the D.C Voltage ratings. Consult your local BETA switch Representative.

6 Selection of options

| Description | Option code |
|---|-------------|
| Cable gland | C |
| Stainless steel tag key ringed to enclosure (Tag has 2 lines - 16 characters per line) | S |
| Epoxy coating of switch. (External) <small>Only in combination SS 316 process connection</small> | Y |