

The background features a collage of water-related images: a top-down view of a pond with ripples, a close-up of water with bubbles, and a large, curved, abstract shape. The overall color palette is dominated by various shades of blue, with a red square on the left and a teal square on the right.

# Pressure Switches



**Gems**  
Sensors

# Contents

Description	Page	<b>Vacuum Switches</b>	<b>20</b>
Cross Reference Chart	4	PS81 – Ultra-Long Life Vacuum Switches	20
Introduction	5	PS82 – Economical Miniature Vacuum Switches	21
Selection Chart	6	PS83 – OEM Subminiature Vacuum Switch	22
<b>Pressure Switches</b>	<b>7</b>	<b>Differential Switches</b>	<b>23</b>
PS11 – Ultra-Long Life OEM Pressure Switches	7	PS91 – Compact Differential Switch	23
PS31 – Kapton® Diaphragm OEM Subminiature Pressure Switch	8	PS93 – General Purpose Differential Pressure Switch	24
PS32 – Elastomer Diaphragm OEM Subminiature Pressure Switch	9	<b>Speciality Switches</b>	<b>25</b>
PS41 – Economical Miniature Pressure Switches	10	PS96 – Inline Pressure Switch	25
PS51 – Kapton® Diaphragm OEM Subminiature Pressure Switch	11	PS97 – Inline Pressure Switch	25
PS52 – Elastomer Diaphragm OEM Subminiature Pressure Switch	12	PS98 – Solid State Pressure Switch	26
PS61 – OEM Subminiature Pressure Switch	13		
PS71 – General Purpose Mini Pressure Switches	14		
PS75 – Rugged Cylindrical Pressure Switch	16		
PS77 – Economical Industrial Pressure Switch	18		

## Cross Reference Chart

PDI Series	Gems Original Part No.	Gem New Part No.	Comments
PMLF	PS-JL	PS 31/2	Low Pressure - Factory Set
PMLA	PS-JL	PS 31/2	Low Pressure - Field Adjustable
PDA	PS-E	PS 41	Low Pressure - Field Adjustable
PDF	PS-E	PS 41	Low Pressure - Factory Set
PNAP		PS 97	Low Pressure - Manifold
PIAP		PS 96	Low Pressure - Inline
PDPA		PS 11	Low Pressure - Adjustable
PDN		PS 41	Low Pressure - Field Adjustable
PDPF		PS 11	Low Pressure - Factory Set
PMMA		PS 51/2	Low Pressure - Field Adjustable
PMMF		PS 51/2	Low Pressure - Field Adjustable
PMHF	PS-J	PS 61	High Pressure - Factory Set
PMHA	PS-J	PS 61	High Pressure - Field Adjustable
PDAH	PS-EH	PS 71	High Pressure - Field Adjustable
PDFH	PS-EH	PS 71	High Pressure - Factory Set
PDCA	PS-FA	PS 75	High Pressure - Single set point
PFCA	PS-FB	PS 75	High Pressure - Factory Set
PACA	PS-FB	PS 75	High Pressure - Adjustable
CFIS	PS-K	PS 77	High Pressure
PDCM		PS 75	High Pressure - Manifold Mount
PHDA		PS 71	High Pressure - Field Adjustable
PFCM		PS 75	High Pressure - Manifold Mount
PFNM		PS 75	High Pressure - Manifold Mount
PDNM		PS 75	High Pressure - Manifold Mount
VDMF	PS-EV	PS 82	Vacuum - Factory Set
VDMA	PS-EV	PS 82	Vacuum - Field Adjustable
PDVF		PS 81	New name given to redesigned PVPF
PDVA		PS 81	New name given to redesigned PVPA
PMVF		PS 83	Vacuum - Factory Set
PMVA		PS 83	Vacuum - Field Adjustable
PJDA	PS-D	PS 93	Differential - Field Adjustable
PJDF	PS-D	PS 93	Differential - Factory Set
PDAM		PS 91	Differential - Manifold, Field Adjustable
PDDA		PS 91	Differential - Field Adjustable
		PS-98	Solid State Pressure Switch

The above table shows the old PDI part numbers converted to the new part numbering scheme. If there are any conversion queries, refer to [www.gemssensors.com](http://www.gemssensors.com) or email [sales@gems-sensors.co.uk](mailto:sales@gems-sensors.co.uk)

# From 2 to 6000 PSI, GEMS Pressure Switches Cover A Wide Range of Applications

- ▶ General, vacuum, differential, specialty
- ▶ Field-adjustable or factory set switches
- ▶ High proof pressure
- ▶ Rugged and dependable

GEMS offers a choice of pressure switches, from compact cylindrical models for OEM use, to larger, enclosed units for rugged process applications. These switches are ideal for the filtering process of coolants in the machine tool industry, use in transmissions of off-highway vehicles and as redundant systems with existing monitors such as transducers.



## Unique Piston/Diaphragm Design

A piston/diaphragm design, incorporating the high proof pressure of piston technology allows these switches to operate with the sensitivity and accuracy of a diaphragm design. Repeatability ranges from 2 percent to 5 percent of the highest set point.

## Many Materials To Choose From

Enclosures include aluminum, stainless steel, brass, reinforced plastic and zinc-plated steel. Most models are NEMA 4 or NEMA 4X certified. Wetted parts include a diaphragm available in buna-n, Teflon® coated Kapton®, stainless steel, PTFE, EPDM or Viton® and a pressure port available in stainless steel, brass, zinc or aluminum.



## Pressure Switch Option Descriptions

- |  |   |  |
|--|---|--|
| <p><b>G:</b> Gold contacts are usually required for low DC current loads (&lt;12 VDC @ 12 mA) associated with TTL input devices. They provide decreased contact resistance, which results in more reliable switching especially in the presence of an oxidizing atmosphere.</p> <p><b>OXY:</b> Wetted Materials are ultrasonically cleaned per the Compressed Gas Association's Method G-4.1.</p> <p><b>10A:</b> 10A option is provided by a microswitch rated 10 Amperes at 250 VAC. This microswitch has a wide movement differential, which results in a larger deadband than listed in the standard catalogue pages.</p> <p><b>IP:</b> Ingress Protection is provided by either an epoxy sealed cap (IP66) or silicon wire seals (IP67). On some models, this option is only available with FS option.</p> | <p><b>RB:</b> Rubber Boot is designed to be cut out for the proper wire or cable size by the customer and sealed with an appropriate sealant in the field.</p> <p><b>WF:</b> Weatherpack female termination consists of the following Delphi P/N's: (12045793 Conn "C" Circuit), 12089188 Female Pins and 12015323 Wire Seals.</p> <p><b>WM:</b> Weatherpack male termination consists of the following Delphi P/N's: 12010973 Connector, (12010717 Conn "C" Circuit), 12089040 Male Pins and 12015323 Wire Seals.</p> <p><b>DE:</b> Deutsch male termination consists of the following Deutsch P/N's: DT04-2P Connector, (DT04-3P "C" Circuit) 1060-16-0122 Male Pins and W(2 or 3)P Wedgelok.</p> | <p><b>FS:</b> Gems will preset switches to the indicated setpoint within repeatability limits listed on the specific product catalogue page.</p> <p><b>R:</b> The restrictor option is recommended for hydraulic systems that need a small reduction in pressure pulsations to increase pressure switch life. It is a pressed in part that has an orifice size of 0.045"</p> <p><b>SR:</b> The spiral restrictor option heavily dampens pressure pulsations in any hydraulic system, which prevents false signaling and premature wear. It is not recommended for pressure settings below 1500 psig because it slows the response time of the pressure switch.</p> |
|--|---|--|

# Selection Guide

## Pressure Switches

	Pressure Range	Proof Pressure	Switch	Repeatability	Notes	Series	Page
Pressure Switches	40 to 800 mbar (0.55 to 12 psi)	10 bar (150 psi)	SPST, SPDT DPST, DPDT	±2%	-	<b>PS11</b>	7
	0.14 to 10 bar (2 to 150 psi)	35 bar (500 psi)	SPST	±5%	Kapton® Diaphragm	<b>PS31</b>	8
					Elastomer Diaphragm	<b>PS32</b>	9
	0.2 to 7 bar (3 to 100 psi)	25 bar (350 psi)	SPST, SPDT	±2%	-	<b>PS41</b>	10
	1 to 20 bar (15 to 300 psi)	35 bar (500 psi)	SPST	±5%	Kapton® Diaphragm	<b>PS51</b>	11
					Elastomer Diaphragm	<b>PS52</b>	12
	0.35 to 207 bar (5 to 3000 psi)	600 bar (9000 psi)	SPST	±3%	-	<b>PS61</b>	13
0.7 to 344 bar (10 to 5000 psi)	600 bar (9000 psi)	SPST, SPDT	±2%	-	<b>PS71</b>	14	
0.35 to 414 bar (5 to 6000 psi)	600 bar (9000 psi)	SPST, SPDT DPST, DPDT	±2%	-	<b>PS75</b>	16	
				20 Amp Switching	<b>PS77</b>	18	
Vacuum Switches	25 to 508 mbar (0.75" to 15" Hg)	10 bar (150 psi)	SPST, SPDT DPST, DPDT	±2%	-	<b>PS81</b>	20
	169 to 1016 mbar (5" to 30" Hg)	35 bar (500 psi)	SPST, SPDT	±2%	-	<b>PS82</b>	21
	169 to 1016 mbar (5" to 30" Hg)	10 bar (150 psi)	SPST	±3%	-	<b>PS83</b>	22
Differential Switches	0.3 to 1.7 bar (5 to 25 psi)	100 bar (1500 psi)	SPDT	±2%	-	<b>PS91</b>	23
	0.7 to 3 bar (10 to 45 psi)	35 bar (500 psi)	SPDT	±2%	-	<b>PS93</b>	24
Speciality Switches	2 to 10 bar (30 to 150 psi)	100 bar (1500 psi)		±2%	-	<b>PS96</b>	25
					-	<b>PS97</b>	25
	0 to 400 bar (0 to 6000 psi)	See Specs	Relay or Transistor	.25%	Solid State	<b>PS98</b>	26
Industrial Switches	-1 to 540 bar (30" Hg to 7500 psi)	600 bar	SPDT	±0.5%	-	<b>PS-B</b>	27
	-1 to 540 bar (30" Hg to 7500 psi)	See Specs	SPDT	±0.2%	-	<b>PS-C</b>	28

## Plastic Diaphragms

### Option K or Standard Teflon® Coated Kapton® (Polyimide) Diaphragm

Teflon® is compatible with almost every liquid and gaseous media. Kapton® has very stable

physical properties over a wide temperature range -73°C to 200°C (-100°F to 400°F). This results in pressure switches that exhibit very little setpoint shift due

to temperature extremes. Kapton possesses exceptional fatigue strength but is very stiff which results in wider but more stable deadbands than most elastomers.

## Elastomer Diaphragms

Elastomers offer incredible sensitivity coupled with extremely long life. This results in stable setpoints over the life of the pressure switch as well as tight deadbands. Their biggest weakness is the increase in modulus (stiffening) that occurs at lower temperatures. This results in pressure switch setpoints to shift higher and deadbands to increase with decreasing temperature. They also exhibit more hysteresis than Kapton diaphragms.

**Standard:** Nitrile (Buna-N). Typically specified on water and petroleum based hydraulic oils. Temperature range: 0°C to 121°C (32°F to 250°F)

**Option V:** Viton® (Fluorinated Hydrocarbon) Diaphragm. Typically used with alcohols, diesters, solvents, acids and synthetic oils. Also used for high vacuum service. Temperature range: 0°C to 200°C (32°F to 400°F)

**Option E:** EPDM (Ethylene Propylene) Diaphragm. Typically used with phosphate ester based hydraulic fluids, brake fluids, ketones, steam and hot water. Temperature range: -53°C to 100°C (-65°F to 212°F)

**Option N:** Neoprene (Chloroprene) Diaphragm. Typically specified for refrigerant systems. Temperature range: -53°C to 135°C (-65°F to 275°F)

**Option H:** ECOH (Epichlorohydrin) Diaphragm. Typically specified for petroleum based fuels and lubricants. Temperature range: -40°C to 121°C (-40°F to 250°F)

# PS11 – Ultra-Long Life OEM Pressure Switches

- ▶ 40 to 800 mbar (0.55 to 12 psi)
- ▶ 1,000,000 cycle life
- ▶ Factory fixed or adjustable set points

For low pressure applications, the longevity of our PS11 Series is hard to beat. A life expectancy of 1 million cycles means long-term reliability. Their snap-action microswitch resets automatically and meets or exceeds industry standards. The brass housing offers chemical resistance at an affordable price.

## Specifications

<b>Operating Temperature</b>	-40°C to +80°C (-40°F to +180°F)
<b>Switch*</b>	5 Amp at 24 VDC and 250 VAC; 0.5 Amp @ 24 VDC (-G option)
<b>Repeatability</b>	±2% of Full Set Point Range at 20°C (70°F) ambient temp.
<b>Wetted Parts</b>	
<b>Diaphragm</b>	Nitrile (optional Viton®, EPDM or Kapton®)
<b>Fitting</b>	Brass
<b>Housing</b>	Brass
<b>Electrical Termination</b>	DIN 43650A IP65; Terminals IP00; Flying Leads IP65
<b>Proof Pressure</b>	10 bar (150 psi)
<b>Approvals</b>	CE, UL Approved units available
<b>Weight, Approximate</b>	0.14 kg (0.31 lbs.)



\*Gold contacts (option G) may be required for less than 12 VDC and 20 mA.

## How to Order

Use the **bold** characters from the chart below to construct a product code.

	<b>PS11</b>	<b>10</b>	<b>4MNB</b>	<b>C</b>	<b>HC</b>	<b>XX</b>	<b>XXXX</b>
<b>PS11 Series</b>	_____						
<b>Pressure Range Code</b>	_____						
Insert Pressure Range Code from table below							
<b>Pressure Fitting<sup>1</sup></b>	_____						
<b>2MNB</b> 1/8" NPTM Brass; <b>4MNB</b> 1/4" NPTM Brass; <b>2FNB</b> 1/8" NPTF Brass; <b>4MGB</b> 1/4" BSPM Brass; <b>4MSB</b> 7/16"-20 SAE Male, Brass; <b>6MSB</b> 9/16"-18 SAE Male, Brass							
<b>Circuit</b>	_____						
<b>A</b> SPST/NO; <b>B</b> SPST/NC; <b>C</b> SPDT <b>AA</b> DPST/NO; <b>BB</b> DPST/NC; <b>CC</b> DPDT							
<b>Electrical Termination<sup>2</sup></b>	_____						
<b>FLXX</b> Flying Leads <sup>3</sup> ; <b>ELXX</b> 1/2" Male NPT Conduit w/Flying Leads <sup>3</sup> ; <b>H</b> DIN 43650A Male Half Only; <b>HC</b> DIN 43650A 9mm Cable Clamp; <b>HN</b> DIN 43650A 1/2" NPT Female Conduit							
<b>Options</b>	_____						
<b>V</b> Viton® Diaphragm; <b>E</b> EPDM Diaphragm; <b>K</b> Kapton® Diaphragm; <b>IP</b> Ingress Protection <sup>4</sup> ; <b>G</b> Gold Contacts (for loads less than 12 mA @ 12 VDC); <b>OXY</b> Oxygen Cleaned; <b>WF</b> Weather Pack Connector, Female; <b>WM</b> Weather Pack Connector, Male; <b>DE</b> Deutsch Connector, Male, DT04 Series							
<b>Fixed Set Point (optional)</b>	_____						
A. Specify set point <b>FS</b> (in PSI or mBAR, see example) <sup>5</sup> B. Set Point Actuation <b>R</b> on Rising Pressure; <b>F</b> on Falling Pressure Example: <b>FS200MBAF</b> for 200 mBAR Falling or <b>FS3PSIR</b> for 3 PSI Rising							

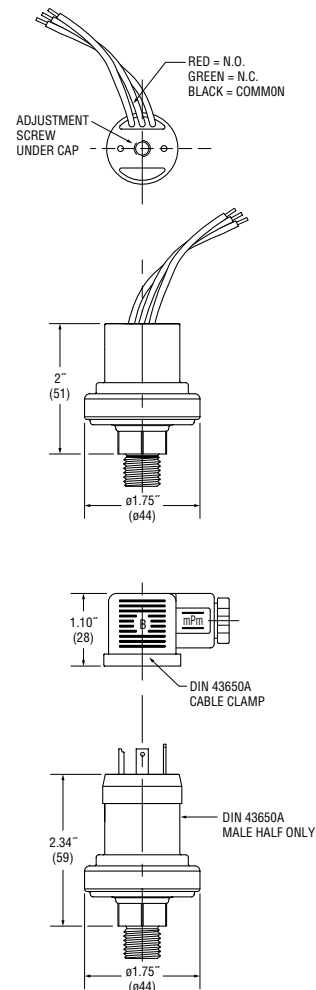
### Notes:

- Other connectors available. Consult factory.
- DIN units are available with **C** SPDT circuit only.
- 18" is standard. Specify lead length in inches (max. 48"). e.g. **FL18** or **EL30**.
- Ingress Protection requires Fixed Set Point **FS**.
- Set Point must be within Pressure Range selected in Step 1 above.

## Pressure Range Table

Pressure Range Code	Pressure Range	Average Dead Band
10	37.9-241.3 mbar (0.55-3.5 psi)	5-15 mbar (.07-02 psi)
20	206.8-827.4 mbar (3-12 psi)	20-45 mbar (.3-6 psi)

## Dimensions



# PS31 – Kapton® Diaphragm OEM Subminiature Pressure Switch

- ▶ .14 to 10 bar (2 to 150 psi) *formerly PS-JL series*
- ▶ Ideal for pneumatic and low pressure hydraulic applications
- ▶ Adjustable or factory set

These compact pressure switches are designed for OEM applications. Made economical with metal blade contacts in lieu of microswitches, the PS31 series features Kapton® diaphragms. Kapton® polyimide maintains excellent physical properties over a wide temperature range. It also offers superb chemical resistance with no known organic solvents.



## Specifications

<b>Operating Temperature</b>	-40°C to +93°C (-40°F to +200°F)
<b>Switch*</b>	100 VA Max.
<b>Repeatability</b>	±5% of Full Set Point Range @ 20°C (70°F)
<b>Wetted Parts</b>	
<b>Diaphragm</b>	Teflon® Coated Kapton®
<b>Fitting</b>	Brass (optional 316 Stainless Steel)
<b>Electrical Termination</b>	Exposed Terminals IP00; IP option IP66
<b>Deadband</b>	<5% of Set Point
<b>Proof Pressure</b>	35 bar (500 psi)
<b>Approvals</b>	CE (limits switch voltage to 42 VDC)
<b>Weight, Approximate</b>	Brass: 0.06 kg (0.14 lbs.)

\*Gold contacts (option G) may be required for less than 12 VDC and 20 mA.  
Kapton® is a registered trademark of Dupont.

## How to Order

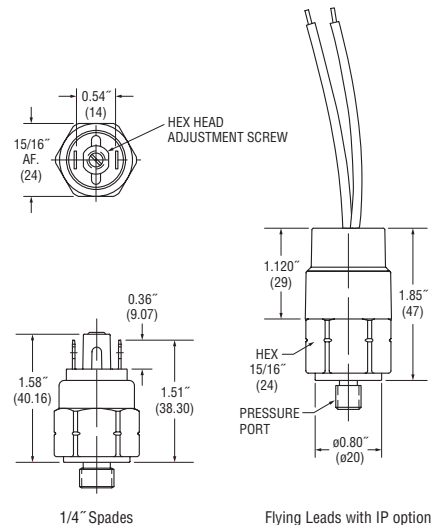
Use the **bold** characters from the chart below to construct a product code.

	<b>PS31</b>	<b>10</b>	<b>4MNB</b>	<b>A</b>	<b>SP</b>	<b>XX</b>	<b>XXXX</b>																				
<b>PS31 Series</b>																											
<b>Pressure Range Code</b>	Insert Pressure Range Code from table below																										
<b>Pressure Fitting<sup>1</sup></b>	<table border="0"> <tr> <td><i>Brass</i></td> <td><i>316 Stainless Steel</i></td> </tr> <tr> <td><b>2MNB</b> 1/8" NPTM</td> <td><b>2MNS</b> 1/8" NPTM</td> </tr> <tr> <td><b>4MNB</b> 1/4" NPTM</td> <td><b>4MNS</b> 1/4" NPTM</td> </tr> <tr> <td><b>2MGB</b> 1/8" BSPM</td> <td><b>2MGS</b> 1/8" BSPM</td> </tr> <tr> <td><b>4MGB</b> 1/4" BSPM</td> <td><b>4MGS</b> 1/4" BSPM</td> </tr> <tr> <td><b>8MGB</b> 1/2" BSPM</td> <td><b>4MSS</b> 7/16"-20 SAE Male</td> </tr> <tr> <td><b>M10B</b> M10 x 1.0, Straight</td> <td><b>6MSS</b> 9/16"-18 SAE Male</td> </tr> <tr> <td><b>M12B</b> M12 x 1.5, Straight</td> <td></td> </tr> <tr> <td><b>4MSB</b> 7/16"-20 SAE Male</td> <td></td> </tr> <tr> <td><b>6MSB</b> 9/16"-18 SAE Male</td> <td></td> </tr> </table>							<i>Brass</i>	<i>316 Stainless Steel</i>	<b>2MNB</b> 1/8" NPTM	<b>2MNS</b> 1/8" NPTM	<b>4MNB</b> 1/4" NPTM	<b>4MNS</b> 1/4" NPTM	<b>2MGB</b> 1/8" BSPM	<b>2MGS</b> 1/8" BSPM	<b>4MGB</b> 1/4" BSPM	<b>4MGS</b> 1/4" BSPM	<b>8MGB</b> 1/2" BSPM	<b>4MSS</b> 7/16"-20 SAE Male	<b>M10B</b> M10 x 1.0, Straight	<b>6MSS</b> 9/16"-18 SAE Male	<b>M12B</b> M12 x 1.5, Straight		<b>4MSB</b> 7/16"-20 SAE Male		<b>6MSB</b> 9/16"-18 SAE Male	
<i>Brass</i>	<i>316 Stainless Steel</i>																										
<b>2MNB</b> 1/8" NPTM	<b>2MNS</b> 1/8" NPTM																										
<b>4MNB</b> 1/4" NPTM	<b>4MNS</b> 1/4" NPTM																										
<b>2MGB</b> 1/8" BSPM	<b>2MGS</b> 1/8" BSPM																										
<b>4MGB</b> 1/4" BSPM	<b>4MGS</b> 1/4" BSPM																										
<b>8MGB</b> 1/2" BSPM	<b>4MSS</b> 7/16"-20 SAE Male																										
<b>M10B</b> M10 x 1.0, Straight	<b>6MSS</b> 9/16"-18 SAE Male																										
<b>M12B</b> M12 x 1.5, Straight																											
<b>4MSB</b> 7/16"-20 SAE Male																											
<b>6MSB</b> 9/16"-18 SAE Male																											
<b>Circuit</b>	<b>A</b> SPST/NO; <b>B</b> SPST/NC																										
<b>Electrical Termination</b>	<b>SP</b> Spade Terminals (standard); <b>TS</b> Terminal Screws; <b>FLXX</b> Flying Leads <sup>2</sup> ; <b>FLSXX</b> Flying Leads w/PVC Shrink Tubing <sup>2</sup> ; <b>CABXX</b> 18 AWG PVC Cable <sup>3</sup>																										
<b>Options</b>	<b>G</b> Gold Contacts (for loads less than 12 mA @ 12 VDC); <b>IP</b> Ingress Protection <sup>4</sup> ; <b>OXY</b> Oxygen Cleaned; <b>RB</b> Rubber Boot (shipped loose); <b>WF</b> Weather Pack Connector, Female; <b>WM</b> Weather Pack Connector, Male; <b>DE</b> Deutsch Connector, Male, DT04 Series																										
<b>Fixed Set Point (optional)</b>	<b>A.</b> Specify set point <b>FS</b> (in BAR or PSI, see example) <sup>5</sup> <b>B.</b> Set Point Actuation <b>R</b> on Rising Pressure; <b>F</b> on Falling Pressure Example: <b>FS0.3BARF</b> for 0.3 BAR Falling or <b>FS3PSIR</b> for 3 PSI Rising																										

### Notes:

- Other connectors available. Consult factory.
- 18" is standard. Specify lead length in inches (max. 48"). e.g. **FL18** or **FLS30**.
- 36" is minimum. Specify cable length in inches. e.g. **CAB36** or **CAB120**.
- Ingress Protection is available only with **FL**, **FLS** or **CAB** Electrical Termination choices.
- Set Point must be within Pressure Range selected in Step 1 above.

## Dimensions



## Pressure Range Table

Pressure Range Code	Pressure Range
20	0.35-1.7 bar (5-25 psi)
30	1.4-4.1 bar (20-60 psi)
40	3.4-10.3 bar (50-150 psi)

# PS32 – Elastomer Diaphragm OEM Subminiature Pressure Switch

- ▶ .14 to 10 bar (2 to 150 psi) *formerly PS-JL series*
- ▶ Ideal for pneumatic and low pressure hydraulic applications
- ▶ Adjustable or factory set

These compact pressure switches are designed for OEM applications. Made economical by using metal blade contacts in lieu of microswitches, the series features long-lasting Elastomer diaphragms in three materials. Elastomer diaphragms offer increased sensitivity and life for applications without temperature extremes.

## Specifications

<b>Operating Temperature</b>	-40°C to +93°C (-40°F to +200°F)
<b>Switch*</b>	100 VA Max.
<b>Repeatability</b>	±5% of Full Set Point Range @ 20°C (70°F)
<b>Wetted Parts</b>	
<b>Diaphragm</b>	Elastomer (Nitrile standard) (Viton, EPDM optional)
<b>Fitting</b>	Brass standard (optional 316 SS)
<b>Electrical Termination</b>	Exposed Terminals IP00; IP option IP66
<b>Deadband</b>	<5% of Set Point
<b>Proof Pressure</b>	35 bar (500 psi)
<b>Approvals</b>	CE (limits switch voltage to 42 VDC)
<b>Weight, Approximate</b>	Brass: 0.06 kg (0.14 lbs.)

\*Gold contacts (option G) may be required for less than 12 VDC and 20 mA.

## How to Order

Use the **bold** characters from the chart below to construct a product code.

**PS32 10 4MNB A SP XX XXXX**

**PS32 Series** \_\_\_\_\_

**Pressure Range Code** \_\_\_\_\_  
Insert Pressure Range Code from table below

**Pressure Fitting<sup>1</sup>** \_\_\_\_\_

Brass	316 Stainless Steel
<b>2MNB</b> 1/8" NPTM	<b>2MNS</b> 1/8" NPTM
<b>4MNB</b> 1/4" NPTM	<b>4MNS</b> 1/4" NPTM
<b>2MGB</b> 1/8" BSPM	<b>2MGS</b> 1/8" BSPM
<b>4MGB</b> 1/4" BSPM	<b>4MGS</b> 1/4" BSPM
<b>4MSB</b> 7/16"-20 SAE Male	<b>4MSS</b> 7/16"-20 SAE Male

**Circuit** \_\_\_\_\_  
**A** SPST/NO; **B** SPST/NC

**Electrical Termination** \_\_\_\_\_  
**SP** Spade Terminals (standard); **TS** Terminal Screws; **FLXX** Flying Leads<sup>2</sup>;  
**FLSXX** Flying Leads w/PVC Shrink Tubing<sup>2</sup>; **CABXX** 18 AWG PVC Cable<sup>3</sup>

**Options** \_\_\_\_\_  
**V** Viton® Diaphragm; **E** EPDM Diaphragm; **H** ECOH Diaphragm;  
**G** Gold Contacts (for loads less than 12 mA @ 12 VDC); **IP** Ingress Protection<sup>4</sup>;  
**OXY** Oxygen Cleaned; **RB** Rubber Boot (shipped loose);  
**WF** Weather Pack Connector, Female; **WM** Weather Pack Connector, Male;  
**DE** Deutsch Connector, Male, DT04 Series

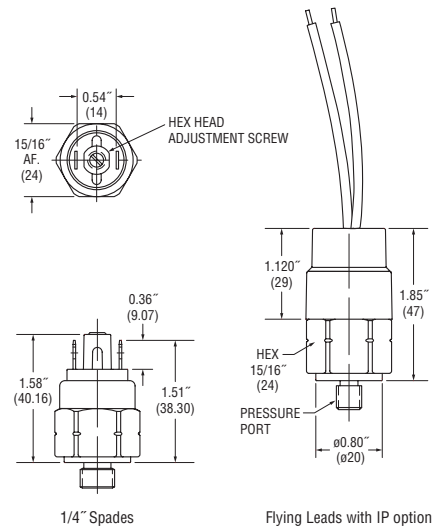
**Fixed Set Point (optional)** \_\_\_\_\_  
A. Specify set point **FS** (in PSI or BAR, see example)<sup>5</sup>  
B. Set Point Actuation \_\_\_\_\_  
**R** on Rising Pressure; **F** on Falling Pressure  
Example: **FS0.3BARF** for 0.3 BAR Falling or **FS3PSIR** for 3 PSI Rising

## Notes:

- Other connectors available. Consult factory.
- 18" is standard. Specify lead length in inches (max. 48"). e.g. **FL18** or **FLS30**.
- 36" is minimum. Specify cable length in inches. e.g. **CAB36** or **CAB120**.
- Ingress Protection is available only with **FL**, **FLS** or **CAB** Electrical Termination choices.
- Set Point must be within Pressure Range selected in Step 1 above.



## Dimensions



## Pressure Range Table

Pressure Range Code	Pressure Range
20	0.35-1.7 bar (5-25 psi)
30	1.4-4.1 bar (20-60 psi)
40	3.4-10.3 bar (50-150 psi)

# PS41 – Economical Miniature Pressure Switches

► 0.2 to 7 bar (3 to 100 psi) – formerly PS-E series

These miniature pressure switches are designed for demanding applications where space and/or price are strong concerns. The switches utilize a piston/diaphragm design, which incorporates the high proof pressure of piston technology with the sensitivity of diaphragm designs. Switches are field adjustable via an Allen head screw that is hidden to protect against unauthorized tampering.

## Specifications

<b>Operating Temperature</b>	-40°C to +80°C (-40°F to +180°F)
<b>Switch*</b>	5 Amp at 12/24 VDC and 125/250 VAC (optional 10 Amp or 1 Amp Gold Contacts)
<b>Repeatability</b>	±2% of Full Set Point Range @ 20°C (70°F)
<b>Wetted Parts</b>	
<b>Diaphragm Material</b>	Nitrile (optional EPDM and Viton®)
<b>Fitting</b>	Brass (optional 316 Stainless Steel)
<b>Electrical Termination</b>	DIN 43650A IP65; Terminals IP00; Flying Leads IP65; Option 20/20A IP67
<b>Proof Pressure</b>	25 bar (350 psi)
<b>Approvals</b>	CE, UL Approved units available
<b>Weight, Approximate</b>	0.14 kg (0.3 lbs.)

\*Gold contacts (option G) may be required for less than 12 VDC and 20 mA. Viton® is a registered trademark of Dupont.

## How to Order

Use the **bold** characters from the chart below to construct a product code.

**PS41 10 4MNB C H XX XXXX**

**PS41 Series** \_\_\_\_\_

**Pressure Range Code** \_\_\_\_\_  
Insert Pressure Range Code from table below

**Pressure Fitting<sup>1</sup>** \_\_\_\_\_

Brass	316 Stainless Steel
<b>2MNB</b> 1/8" NPTM	<b>2MNS</b> 1/8" NPTM
<b>4MNB</b> 1/4" NPTM	<b>4MNS</b> 1/4" NPTM
<b>2MGB</b> 1/8" BSPM	<b>4MGS</b> 1/4" BSPM
<b>4MGB</b> 1/4" BSPM	
<b>4MSB</b> 7/16"-20 SAE Male	
<b>6MSB</b> 9/16"-18 SAE Male	

**Circuit** \_\_\_\_\_

**A** SPST/NO2; **B** SPST/NC2; **C** SPDT

**Electrical Termination** \_\_\_\_\_

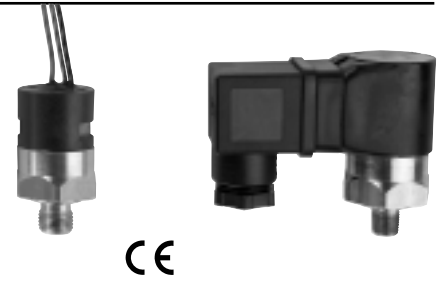
**SP** Spade Terminals<sup>3</sup>; **FLXX** Flying Leads<sup>4</sup>;  
**FLSXX** Flying Leads w/PVC Shrink Tubing<sup>4</sup>;  
**ELXX** 1/2" NPT Male Conduit w/Flying Leads<sup>5</sup>; **CABXX** 18 AWG PVC Cable<sup>6</sup>;  
**H** DIN 43650A Male Half Only; **HR** Right Angle DIN 43650A Male Half Only;  
**HC** DIN 43650A 9mm Cable Clamp;  
**HCR** Right Angle DIN 43650A 9mm Cable Clamp;  
**HN** DIN 43650A with 1/2" Female NPT Conduit;  
**HNR** Right Angle DIN 43650A with 1/2" Female NPT Conduit;  
**HM** Micro (9.4mm Spacing) DIN Style Male Half Only

**Options<sup>7</sup>**

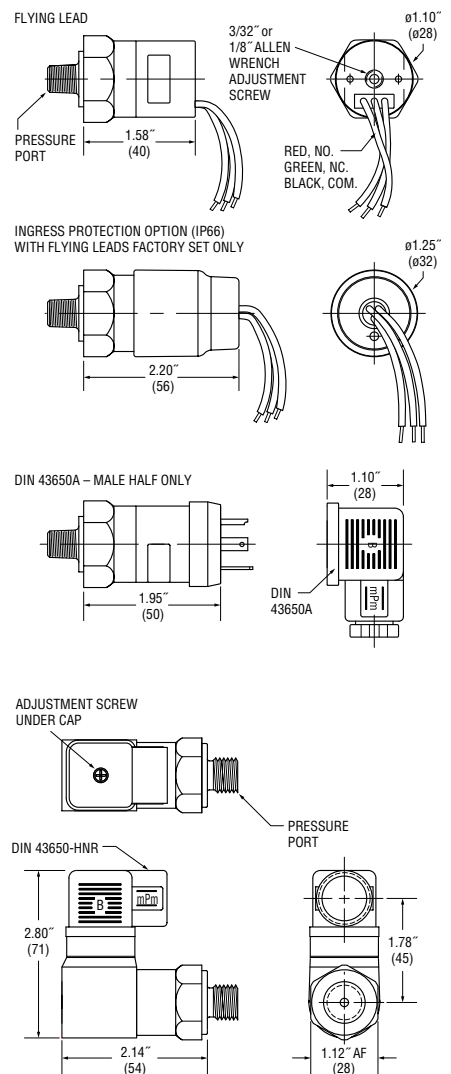
**V** Viton Diaphragm; **N** Neoprene Diaphragm; **E** EPDM Diaphragm;  
**10A** 10A @ 125/250 VAC Max. Rating;  
**G** Gold Contacts (for loads less than 12 mA @ 12 VDC);  
**RD** Reduced Differential (50% reduction typical); **IP** Ingress Protection<sup>2</sup>;  
**OXY** Oxygen Cleaned; **WF** Weather Pack Connector, Female;  
**WM** Weather Pack Connector, Male; **DE** Deutsch Connector, Male, DT04 Series

**Fixed Set Point (optional)** \_\_\_\_\_

A. Specify set point **FS** (in BAR or PSI, see example)<sup>8</sup>  
B. Set Point Actuation  
**R** on Rising Pressure; **F** on Falling Pressure  
Example: **FS0.5BARF** for 0.5 BAR Falling or **FS5PSIR** for 5 PSI Rising



## Dimensions



## Pressure Range Table

Pressure Range Code	Pressure Range	Average Dead Band
10	0.2-0.5 bar (0.3-7 psi)	0.07-0.14 bar (1-2 psi)
20	0.35-2.1 bar (5-30 psi)	0.14-0.28 bar (2-4 psi)
30	1.7-6.9 bar (25-100 psi)	0.21-0.85 bar (3-12 psi)

# PS51 – Kapton® Diaphragm OEM Subminiature Pressure Switch

- ▶ 1 to 20 bar (15 to 300 psi)
- ▶ Adjustable or factory set

These compact pressure switches are designed for OEM applications. This economical design uses metal blade contacts in lieu of microswitches and features Kapton® diaphragms. Kapton® polyimide maintains excellent physical properties over a wide temperature range. It also offers superb chemical resistance with no known organic solvents.



## Specifications

<b>Operating Temperature</b>	-40°C to +93°C (-40°F to +200°F)
<b>Switch*</b>	100 VA Max.
<b>Repeatability</b>	±5% of Full Set Point Range @ 20°C (70°F)
<b>Wetted Parts</b>	
<b>Diaphragm</b>	Teflon® Coated Kapton®
<b>Fitting</b>	Brass standard (optional 316 SS)
<b>Electrical Termination</b>	Exposed Terminals IP00; IP option IP66
<b>Deadband</b>	<5% of Set Point
<b>Proof Pressure</b>	35 bar (500 psi)
<b>Approvals</b>	CE (limits switch voltage to 42 VDC)
<b>Weight, Approximate</b>	Brass: 0.06 kg (0.14 lbs.)

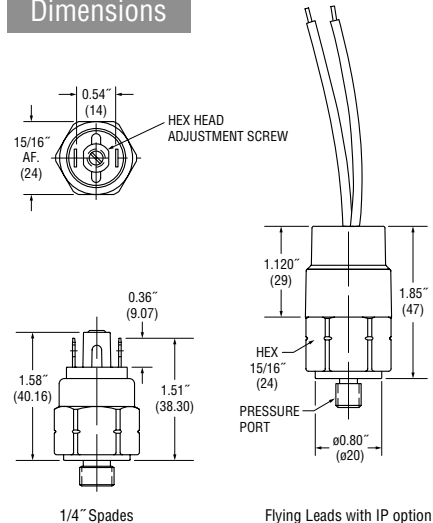
\*Gold contacts (option G) may be required for less than 12 VDC and 20 mA.  
Kapton® is a registered trademark of Dupont.

## How to Order

Use the **bold** characters from the chart below to construct a product code.

	<b>PS51</b>	<b>10</b>	<b>4MNB</b>	<b>A</b>	<b>SP</b>	<b>XX</b>	<b>XXXX</b>
<b>PS51 Series</b>	_____						
<b>Pressure Range Code</b>	_____						
Insert Pressure Range Code from table below							
<b>Pressure Fitting<sup>1</sup></b>	_____						
Brass	316 Stainless Steel						
<b>2MNB</b> 1/8" NPTM	<b>2MNS</b> 1/8" NPTM						
<b>4MNB</b> 1/4" NPTM	<b>4MNS</b> 1/4" NPTM						
<b>2MGB</b> 1/8" BSPM	<b>2MGS</b> 1/8" BSPM						
<b>4MGB</b> 1/4" BSPM	<b>4MGS</b> 1/4" BSPM						
<b>8MGB</b> 1/2" BSPM	<b>4MSS</b> 7/16"-20 SAE Male						
<b>M10B</b> M10 x 1.0, Straight	<b>6MSS</b> 9/16"-18 SAE Male						
<b>M12B</b> M12 x 1.5, Straight							
<b>4MSB</b> 7/16"-20 SAE Male							
<b>6MSB</b> 9/16"-18 SAE Male							
<b>Circuit</b>	_____						
<b>A</b> SPST/NO; <b>B</b> SPST/NC							
<b>Electrical Termination</b>	_____						
<b>SP</b> Spade Terminals (standard); <b>TS</b> Terminal Screws; <b>FLXX</b> Flying Leads <sup>2</sup> ;							
<b>FLSXX</b> Flying Leads w/PVC Shrink Tubing <sup>2</sup> ; <b>-CABXX</b> 18 AWG PVC Cable <sup>3</sup>							
<b>Options</b>	_____						
<b>G</b> Gold Contacts (for loads less than 12 mA @ 12 VDC); <b>IP</b> Ingress Protection <sup>4</sup> ;							
<b>OXY</b> Oxygen Cleaned; <b>-RB</b> Rubber Boot (shipped loose);							
<b>WF</b> Weather Pack Connector, Female; <b>WM</b> Weather Pack Connector, Male;							
<b>DE</b> Deutsch Connector, Male, DT04 Series							
<b>Fixed Set Point (optional)</b>	_____						
A. Specify set point <b>FS</b> (in BAR or PSI, see example) <sup>5</sup>							
B. Set Point Actuation							
<b>R</b> on Rising Pressure; <b>F</b> on Falling Pressure							
Example: <b>FS5BARF</b> for 5 BAR Falling or <b>FS20PSIR</b> for 20 PSI Rising							

## Dimensions



## Pressure Range Table

Pressure Range Code	Pressure Range
10	1.0-10.3 bar (15-150 psi)
20	10.3-20.7 bar (150-300 psi)

## Notes:

- Other connectors available. Consult factory.
- 18" is standard. Specify lead length in inches (max. 48"). e.g. **FL18** or **FLS30**.
- 36" is minimum. Specify cable length in inches. e.g. **CAB36** or **CAB120**.
- Ingress Protection is available only with **FL**, **FLS** or **CAB** Electrical Termination choices.
- Set Point must be within Pressure Range selected in Step 1 above.

# PS52 – Elastomer Diaphragm OEM Subminiature Pressure Switch

- ▶ 1 to 20 bar (15 to 300 psi)
- ▶ Adjustable or factory set

These compact pressure switches are designed for OEM applications. Designed to be economical by using metal blade contacts in lieu of microswitches they feature long-lasting Elastomer diaphragms. Elastomer diaphragms offer increased sensitivity and life for applications without temperature extremes.

## Specifications

<b>Operating Temperature</b>	-40°C to +93°C (-40°F to +200°F)
<b>Switch*</b>	100 VA Max.
<b>Repeatability</b>	±5% of Full Set Point Range @ 20°C (70°F)
<b>Wetted Parts</b>	
<b>Diaphragm</b>	Nitrile (optional EPDM and Viton®)
<b>Fitting</b>	Brass (optional 316 Stainless Steel)
<b>Electrical Termination</b>	Exposed Terminals IP00; IP option IP66
<b>Deadband</b>	<5% of Set Point
<b>Proof Pressure</b>	35 bar (500 psi)
<b>Approvals</b>	CE (limits switch voltage to 42 VDC)
<b>Weight, Approximate</b>	Brass: 0.06 kg (0.14 lbs.)

\*Gold contacts (option G) may be required for less than 12 VDC and 20 mA.  
Kapton® is a registered trademark of Dupont.

## How to Order

**PS52 10 4MNB A SP XX XXXX**

**Pressure Range Code** \_\_\_\_\_  
Insert Pressure Range Code from table below right

**Pressure Fitting<sup>1</sup>** \_\_\_\_\_  

<i>Brass</i>	<i>316 Stainless Steel</i>
<b>2MNB</b> 1/8" NPTM	<b>2MNS</b> 1/8" NPTM
<b>4MNB</b> 1/4" NPTM	<b>4MNS</b> 1/4" NPTM
<b>2MGB</b> 1/8" BSPM	<b>2MGS</b> 1/8" BSPM
<b>4MGB</b> 1/4" BSPM	<b>4MGS</b> 1/4" BSPM
<b>4MSB</b> 7/16"-20 SAE Male	<b>4MSS</b> 7/16"-20 SAE Male

**Circuit** \_\_\_\_\_  
**A** SPST/NO; **B** SPST/NC

**Electrical Termination** \_\_\_\_\_  
**SP** Spade Terminals (standard); **TS** Terminal Screws; **FLXX** Flying Leads<sup>2</sup>;  
**FLSXX** Flying Leads w/PVC Shrink Tubing<sup>2</sup>; **CABXX** 18 AWG PVC Cable<sup>3</sup>

**Options** \_\_\_\_\_  
**V** Viton® Diaphragm; **E** EPDM Diaphragm; **H** ECOH Diaphragm;  
**G** Gold Contacts (for loads less than 12 mA @ 12 VDC); **IP** Ingress Protection<sup>4</sup>;  
**OXY** Oxygen Cleaned; **RB** Rubber Boot (shipped loose);  
**WF** Weather Pack Connector, Female; **WM** Weather Pack Connector, Male;  
**DE** Deutsch Connector, Male, DT04 Series

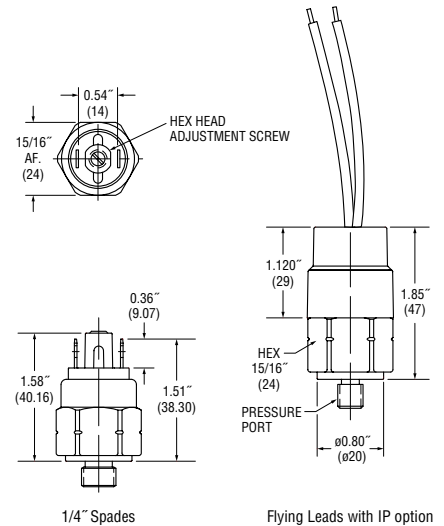
**Fixed Set Point (optional)**  
A. Specify set point **FS** (in BAR or PSI, see example)<sup>5</sup> \_\_\_\_\_  
B. Set Point Actuation \_\_\_\_\_  
**R** on Rising Pressure; **F** on Falling Pressure  
Example: **FS5BARF** for 5 BAR Falling or **FS20PSIR** for 20 PSI Rising

## Notes:

- Other connectors available. Consult factory.
- 18" is standard. Specify lead length in inches (max. 48"). e.g. **FL18** or **FLS30**.
- 36" is minimum. Specify cable length in inches. e.g. **CAB36** or **CAB120**.
- Ingress Protection is available only with **FL**, **FLS** or **CAB** Electrical Termination choices.
- Set Point must be within Pressure Range selected in Step 1 above.



## Dimensions



## Pressure Range Table

Pressure Range Code	Pressure Range
10	1.0-10.3 bar (15-150 psi)
20	10.3-20.7 bar (150-300 psi)

# PS61 – OEM Subminiature Pressure Switch

- ▶ .35 to 207 bar (5 to 3000 psi) *formerly PS-J series*
- ▶ Exceptional size-to-pressure-range ratio
- ▶ Adjustable or factory set

These compact pressure switches are designed for OEM applications. They are equipped with high proof pressure capabilities for demanding hydraulic applications such as forklifts, scissor lifts, and off road equipment.

## Specifications

<b>Operating Temperature</b>	-40°C to +93°C (-40°F to +200°F)
<b>Switch*</b>	100 VA Max.
<b>Repeatability</b>	±3% of Full Set Point Range @ 20°C (70°F)
<b>Wetted Parts</b>	
<b>Diaphragm</b>	Nitrile (optional Neoprene, EPDM or Viton®)
<b>Fitting</b>	Zinc Plated Steel (optional 316 Stainless Steel)
<b>Electrical Termination</b>	Exposed Terminals IP00; IP option IP66
<b>Deadband</b>	<5% of Set Point
<b>Proof Pressure</b>	600 bar (9000 psi)
<b>Approvals</b>	CE (limits switch voltage to 42 VDC)
<b>Weight, Approximate</b>	Brass: 0.06 kg (0.14 lbs.)

\*Gold contacts (option G) may be required for less than 12 VDC and 20 mA.  
Kapton® and Viton® are registered trademarks of Dupont.

## How to Order

PS61 10 4MNZ A SP XX XXXX

### Pressure Range Code

Insert Pressure Range Code from table below right

### Pressure Fitting<sup>1</sup>

12L14 Zinc Plated Steel	316 Stainless Steel
2MNZ 1/8" NPTM	2MNS 1/8" NPTM
4MNZ 1/4" NPTM	4MNS 1/4" NPTM
2MGZ 1/8" BSPM	2MGS 1/8" BSPM
4MGZ 1/4" BSPM	4MGS 1/4" BSPM
4MSZ 7/16"-20 SAE Male	4MSS 7/16"-20 SAE Male
6MSZ 9/16"-18 SAE Male	6MSS 9/16"-18 SAE Male
8MGZ 1/2" BSPM	
M10Z M10 x 1.0, Straight	
M12Z M12 x 1.5, Straight	

### Circuit

A SPST/NO; B SPST/NC

### Electrical Termination

SP Spade Terminals (standard); TS Terminal Screws; FLXX Flying Leads<sup>2</sup>;  
FLSXX Flying Leads w/PVC Shrink Tubing<sup>2</sup>; CABXX 18 AWG PVC Cable<sup>2</sup>

### Options

V Viton® Diaphragm; E EPDM Diaphragm; N Neoprene Diaphragm;  
H ECOH Diaphragm; G Gold Contacts (for loads less than 12 mA @ 12 VDC);  
IP Ingress Protection<sup>4</sup>; R Restrictor (low damping coefficient) Brass;  
SR Spiral Restrictor (high damping coefficient) 12L14 Steel w/Black Oxide Finish;  
OXY Oxygen Cleaned; RB Rubber Boot (shipped loose);  
WF Weather Pack Connector, Female; WM Weather Pack Connector, Male;  
DE Deutsch Connector, Male, DT04 Series

### Fixed Set Point (optional)

A. Specify set point **FS** (in BAR or PSI, see example)<sup>5</sup>  
B. Set Point Actuation

R on Rising Pressure; F on Falling Pressure

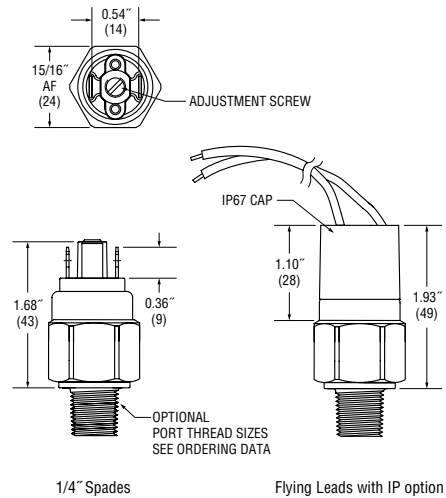
Example: **FS3BARF** for 3 BAR Falling or **FS60PSIR** for 60 PSI Rising

### Notes:

- Other connectors available. Consult factory.
- 18" is standard. Specify lead length in inches (max. 48"). e.g. **FL18** or **FLS30**.
- 36" is minimum. Specify cable length in inches. e.g. **CAB36** or **CAB120**.
- Ingress Protection is available only with **FL**, **FLS** or **CAB** Electrical Termination choices and requires Fixed Set Point (**FS**).
- Set Point must be within Pressure Range selected in Step 1 above.



## Dimensions



## Pressure Range Table

Pressure Range Code	Adjustment Ranges
11	1-4 bar (15-60 psi)
15	2.7-10.3 bar (40-150 psi)
20	6.9-34.5 bar (100-500 psi)
30	20.7-50.0 bar (300-725 psi)
40	34.5-86.2 bar (500-1250 psi)
50	69.0-206.8 bar (1000-3000 psi)

# PS71 – General Purpose Mini Pressure Switches

▶ .7 to 344 bar (10 to 5000 psi) *formerly PS-EH series*

These versatile general purpose switches with snap action microswitches can be used in a wide range of hydraulic and pneumatic applications. Their proven piston/diaphragm design offers outstanding accuracy over a very wide pressure range with an outstanding 9000 psi proof pressure. Their modular construction allows Gems to offer a large number of standard pressure fittings in two materials as well as numerous electrical ratings and terminations. Users can easily configure this model to meet their needs.

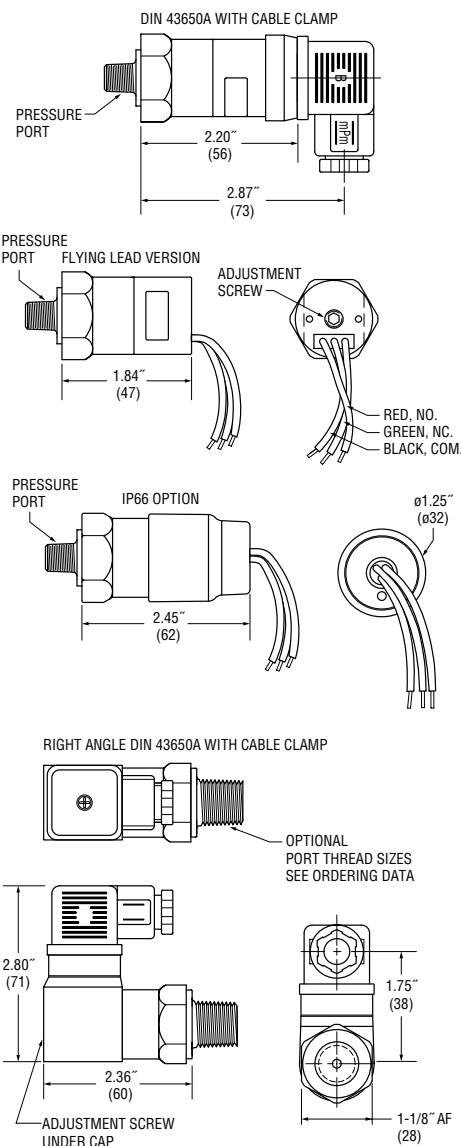
## Specifications

<b>Operating Temperature</b>	-40°C to +80°C (-40°F to +180°F)
<b>Switch*</b>	5 Amp at 12/24 VDC and 125/250 VAC (Optional 10 Amp or 1 Amp with Gold contacts)
<b>Repeatability</b>	±2% of Full Set Point Range @ 20°C (70°F)
<b>Wetted Parts</b>	
<b>Diaphragm</b>	Nitrile (optional EPDM, Viton® or Neoprene)
<b>Fitting</b>	Zinc Plated Steel (Optional 316 SS)
<b>Electrical Termination</b>	DIN 43650A IP65; Spade Terminals IP00; Flying Leads IP65; Conduit with Flying Leads IP00; IP option IP66
<b>Proof Pressure</b>	600 bar (9000 psi)
<b>Approvals</b>	CE, UL Approved units available
<b>Weight, Approximate</b>	0.15 kg (0.4 lbs.)

\*Gold contacts (option G) may be required for less than 12 VDC and 20 mA.  
Viton® is a registered trademark of Dupont.



## Dimensions



## How to Order

Use the **Bold** characters from the chart below to construct a product code.

	<b>PS71</b>	<b>10</b>	<b>4MNZ</b>	<b>C</b>	<b>H</b>	<b>XX</b>	<b>XXXX</b>
<b>Pressure Range Code</b>	_____						
Insert Pressure Range Code from table below							
<b>Pressure Fitting<sup>1</sup></b>	_____						
<i>12L14 Zinc Plated Steel</i>				<i>316 Stainless Steel</i>			
<b>2MNZ</b> 1/8" NPTM				<b>2MGS</b> 1/8" BSPM			
<b>4MNZ</b> 1/4" NPTM				<b>4MNS</b> 1/4" NPTM			
<b>2MGZ</b> 1/8" BSPM				<b>4MGS</b> 1/4" BSPM			
<b>4MGZ</b> 1/4" BSPM							
<b>4MSZ</b> 7/16"-20 SAE Male							
<b>6MSZ</b> 9/16"-18 SAE Male							
<b>Circuit</b>	_____						
<b>A</b> SPST/NO; <b>B</b> SPST/NC; <b>C</b> SPDT							
<b>Electrical Termination</b>	_____						
<b>SP</b> Spade Terminals <sup>2</sup> ; <b>FLXX</b> Flying Leads <sup>3</sup> ;							
<b>FLSXX</b> Flying Leads w/PVC Shrink Tubing <sup>3</sup> ;							
<b>ELXX</b> 1/2" NPT Male Conduit w/Flying Leads <sup>4</sup> ; <b>CABXX</b> 18 AWG PVC Cable <sup>5</sup> ;							
<b>H</b> DIN 43650A Male Half Only <sup>6</sup> ; <b>HR</b> Right Angle DIN 43650A Male Half Only <sup>6</sup> ;							
<b>HC</b> DIN 43650A 9mm Cable Clamp <sup>6</sup> ;							
<b>HCR</b> Right Angle DIN 43650A 9mm Cable Clamp <sup>6</sup> ;							
<b>HN</b> DIN 43650A with 1/2" Female NPT Conduit <sup>6</sup> ;							
<b>HNR</b> Right Angle DIN 43650A with 1/2" Female NPT Conduit <sup>6</sup> ;							
<b>HM</b> Micro (9.4mm Spacing) DIN Style Male Half Only <sup>6</sup>							
<b>Options<sup>7</sup></b>	_____						
<b>V</b> Viton® Diaphragm; <b>E</b> EPDM Diaphragm; <b>N</b> Neoprene Diaphragm;							
<b>10A</b> 10A @ 125/250 VAC Max. Rating;							
<b>G</b> Gold Contacts (for loads less than 12 mA @ 12 VDC);							
<b>RD</b> Reduced Differential (50% reduction typical); <b>IP</b> Ingress Protection <sup>8</sup> ;							
<b>OXY</b> Oxygen Cleaned <sup>9</sup> ; <b>R</b> Restrictor (low damping coefficient) Brass;							
<b>SR</b> Spiral Restrictor (high damping coefficient) 12L14 Steel w/Black Oxide Finish;							
<b>WF</b> Weather Pack Connector, Female; <b>WM</b> Weather Pack Connector, Male;							
<b>DE</b> Deutsch Connector, Male, DT04 Series							
<b>Fixed Set Point (optional)</b>	_____						
A. Specify set point <b>FS</b> (in BAR or PSI, see example) <sup>10</sup>							
B. Set Point Actuation							
<b>R</b> on Rising Pressure; <b>F</b> on Falling Pressure							
Example: <b>FS2BARF</b> for 2 BAR Falling or <b>FS20PSIR</b> for 20 PSI Rising							

### Notes:

1. Other connectors available. Consult factory.
2. Requires **10A** or **G** option.
3. 18" is standard. Specify lead length in inches (max. 48"). e.g. **FL18** or **FLS30**.
4. 18" is standard. Specify cable length in inches (max. 48"). e.g. **EL18** or **EL30**.
5. 36" is minimum. Specify cable length in inches. e.g. **CAB36** or **CAB120**.
6. DIN connectors require **C** SPDT circuit.
7. Options **10A**, **G** or **RD** cannot be combined.
8. Ingress Protection is available only with **FL**, **FLS** or **CAB** Electrical Termination choices.  
Ingress Protection requires Fixed Set Point **FS**.
9. Requires stainless steel housing.
10. Set Point must be within Pressure Range selected in Step 1 above.

## Pressure Range Table

Pressure Range Code	Adjustment Ranges	Average Dead Band
10	0.7-2.1 bar (10-30 psi)	0.25-0.40 bar (4-6 psi)
20	1.7-5.2 bar (25-75 psi)	0.35-0.65 bar (5-10 psi)
30	4.5-20.7 bar (65-300 psi)	1.3-2.6 bar (20-40 psi)
40	17.2-69 bar (250-1000 psi)	2.6-5.7 bar (40-85 psi)
50	69-206.8 bar (1000-3000 psi)	8-15 bar (120-220 psi)
60	172.4-344.7 bar (2500-5000 psi)	21-35 bar (300-500 psi)

# PS75 – Rugged Cylindrical Pressure Switch

- ▶ Side mounted DIN connection *formerly PS-FA series*
- ▶ Top mounted electrical connection formerly PS-FB series
- ▶ 0.35 to 414 bar (5 to 6000 psi)
- ▶ Wear disc design for longer life
- ▶ DPDT models available

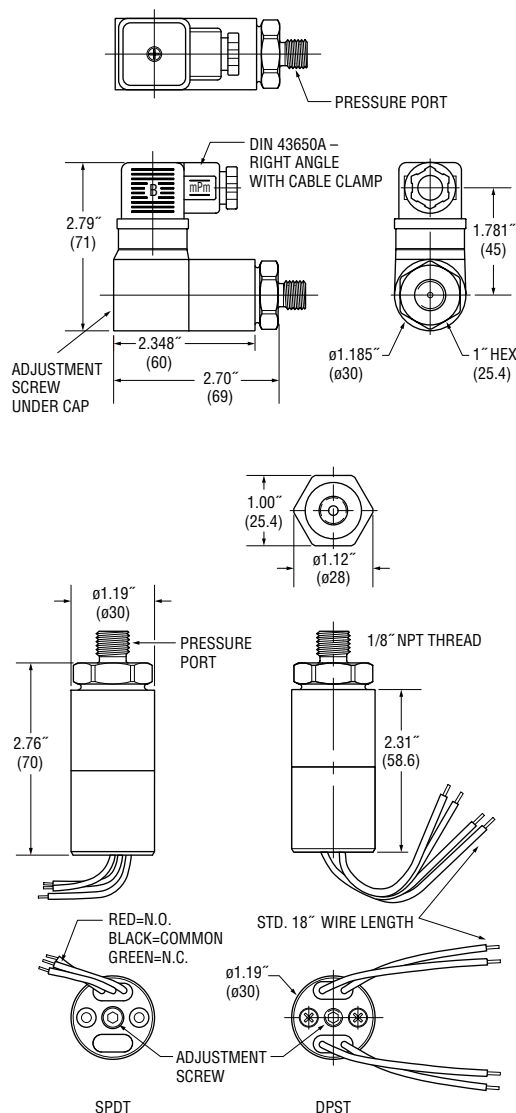
Gems PS75 Series have all metal surfaces for overload stops and deliver reliable operation under extremely high pressure surges. They are designed with a wear disc and cushioning ring for increased life. The switches use a piston/diaphragm design, which combine the high proof pressure of piston technology with the sensitivity of a diaphragm design. They can be field or factory adjusted.

## Specifications

<b>Operating Temperature</b>	-40°C to +82°C (-40°F to +180°F)
<b>Switch</b>	5 Amp SPDT @ 120/240 VAC and 12/24 VDC; 1 Amp with Gold Contacts (-G option)
<b>Repeatability</b>	2% of full set point @ 20°C (70°F)
<b>Wetted Parts</b>	
<b>Diaphragm</b>	Nitrile (optional Viton®, Neoprene or EPDM)
<b>Fitting</b>	Zinc-Plated Steel (optional 316 Stainless Steel)
<b>Housing</b>	Zinc-Plated Steel (optional 316 Stainless Steel)
<b>Electrical Termination</b>	DIN 43650A IP65; Conduit with Flying Leads IP00; Flying Leads IP65
<b>Proof Pressure</b>	600 bar (9000 psi)
<b>Approvals</b>	CE, UL Approved units available
<b>Weight, Approximate</b>	0.23 kg (0.5 lbs.)



## Dimensions



## How to Order

Use the **Bold** characters from the chart below to construct a product code.

**PS75 10 4MNZ C H XX XXXX**

### Pressure Range Code

Insert Pressure Range Code from table below

### Pressure Fitting<sup>1</sup>

<i>12L14 Zinc Plated Steel</i>	<i>316 Stainless Steel (housing also 316SS)</i>
<b>2MNZ</b> 1/8" NPTM	<b>4MNS</b> 1/4" NPTM
<b>4MNZ</b> 1/4" NPTM	<b>4MGS</b> 1/4" BSPM
<b>4FNZ</b> 1/4" NPTF	<b>4FGS</b> 1/4" BSPF
<b>4MGZ</b> 1/4" BSPM	<b>6MSS</b> 9/16"-18 SAE Male
<b>4FGZ</b> 1/4" BSPF	
<b>4MSZ</b> 7/16"-20 SAE Male	
<b>6MSZ</b> 9/16"-18 SAE Male	
<b>4SSZ</b> 7/16"-20 SAE Male Swivel	

### Circuit

**A** SPST/NO; **B** SPST/NC; **C** SPDT;  
**AA** DPST/NO2; **BB** DPST/NC2; **CC** DPDT<sup>2</sup>

### Electrical Termination

**FLXX** Flying Leads<sup>3</sup>; **ELXX** 1/2" NPT Male Conduit w/Flying Leads<sup>4</sup>;  
**H** DIN 43650A Male Half Only<sup>5</sup>; **HR** Right Angle DIN 43650A Male Half Only<sup>5</sup>;  
**HC** DIN 43650A 9mm Cable Clamp<sup>5</sup>;  
**HCR** Right Angle DIN 43650A 9mm Cable Clamp<sup>5</sup>;  
**HN** DIN 43650A with 1/2" Female NPT Conduit<sup>5</sup>;  
**HNR** Right Angle DIN 43650A with 1/2" Female NPT Conduit<sup>5</sup>;

### Options

**V** Viton® Diaphragm; **N** Neoprene Diaphragm; **E** EPDM Diaphragm;  
**G** Gold Contacts (for loads less than 12 mA @ 12 VDC);  
**RD** Reduced Differential (50% reduction typical); **OXY** Oxygen Cleaned<sup>6</sup>;  
**R** Restrictor (low damping coefficient) Brass;  
**SR** Spiral Restrictor (high damping coefficient) 12L14 Steel w/Black Oxide Finish;  
**WF** Weather Pack Connector, Female; **WM** Weather Pack Connector, Male;  
**DE** Deutsch Connector, Male, DT04 Series

### Fixed Set Point (optional)

- A. Specify set point **FS** (in BAR or PSI, see example)<sup>7</sup> \_\_\_\_\_  
 B. Set Point Actuation \_\_\_\_\_

**R** on Rising Pressure; **F** on Falling Pressure

Example: **FS1BARF** for 1 BAR Falling or **FS20PSIR** for 20 PSI Rising

### Notes:

- Manifold mounts available. Consult factory.
- Requires **FL** or **EL** electrical termination.
- 18" is standard. Specify lead length in inches (max. 48"). e.g. **FL18** or **FL30**.
- 18" is standard. Specify cable length in inches (max. 48"). e.g. **EL18** or **EL30**.
- DIN connectors require **C** SPDT circuit.
- Requires stainless steel pressure fitting.
- Set Point must be within Pressure Range selected in Step 1 above.

## Pressure Range Table

Pressure Range Code	Pressure Range	Average Dead Band	Proof Pressure
10	0.35-1.7 bar (5-25 psi)	0.25-0.40 bar (2-4 psi)	35 bar (500 psi)
20	1.0-5.2 bar (15-75 psi)	0.35-0.65 bar (5-10 psi)	600 bar (9000 psi)
30	3.5-10.3 bar (50-150 psi)	1.3-2.6 bar (20-40 psi)	600 bar (9000 psi)
40	10.3-44.8 bar (150-650 psi)	2.6-5.7 bar (40-85 psi)	600 bar (9000 psi)
50	34.5-120.7 bar (500-1750 psi)	8-15 bar (120-220 psi)	600 bar (9000 psi)
60	69.0-241.3 bar (1000-3500 psi)	21-35 bar (300-500 psi)	600 bar (9000 psi)
70	172.4-413.7 bar (2500-6000 psi)	21-35 bar (300-500 psi)	600 bar (9000 psi)

# PS77 – Economical Industrial Pressure Switch

- ▶ 0.35 to 413 bar (5 to 6000 psi) *formerly PS-K series*
- ▶ Up to 20 amp switching capabilities
- ▶ Wear disc design for longer life
- ▶ Adjustable deadband on 20 amp models

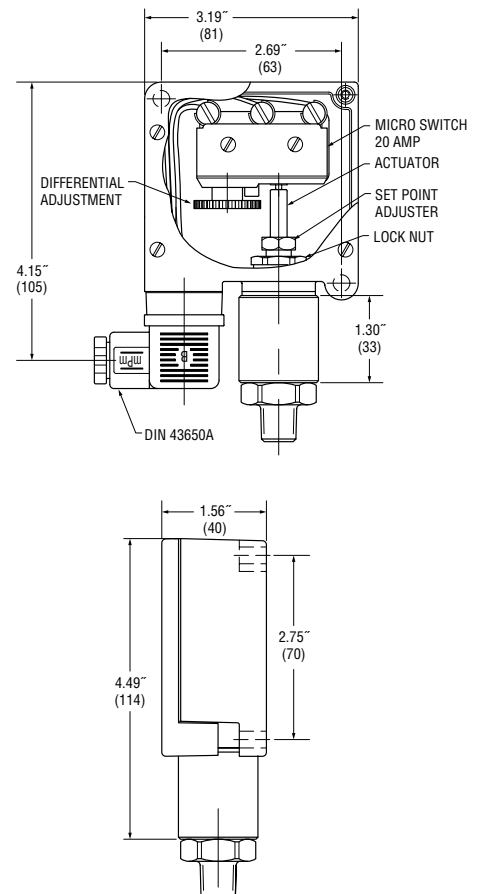
Gems PS77 Series pressure switches incorporate a wear disc and cushioning ring that provide resistance to pressure surges. The industrial enclosure houses either an SPDT 20 Amp switch featuring a dead band adjustment or a DPDT 10 amp switch. The switches use a piston/diaphragm design, which combines the high proof pressure of piston technology with the sensitivity of diaphragm designs. The switches can be field or factory adjusted.

## Specifications

<b>Operating Temperature</b>	-40°C to +80°C (-40°F to +180°F)
<b>Switch</b>	20 Amp @ 240 VAC (-C circuit) 10 Amp @ 250 VAC (-CC, -Z, -ZZ circuits)
<b>Repeatability</b>	2% of Highest Set Point @ 20°C (70°F)
<b>Wetted Parts</b>	
<b>Diaphragm</b>	Nitrile (Optional Viton®, Neoprene or EPDM)
<b>Fitting</b>	Zinc Plated Steel (Optional 316 SS)
<b>Electrical Termination</b>	DIN 43650A or 1/2" NPTF Conduit; Plastic Case IP65
<b>Proof Pressure</b>	600 bar (9000 psi)
<b>Approvals</b>	CE
<b>Weight, Approximate</b>	0.45 kg (1.0 lbs.)



## Dimensions



## Wiring

	DIN
Common	#1
N.C.	#2
N.O.	#3

## How to Order

Use the **Bold** characters from the chart below to construct a product code.

**PS77 10 4MNZ C H XX XXXX**

**Pressure Range Code** \_\_\_\_\_  
 Insert Pressure Range Code from table below

**Pressure Fitting** \_\_\_\_\_  
 12L14 Zinc Plated Steel      316 Stainless Steel (housing also 316SS)  
**2MNZ** 1/8" NPTM              **4MNS** 1/4" NPTM  
**4MNZ** 1/4" NPTM              **4MGS** 1/4" BSPM  
**4FNZ** 1/4" NPTF                **4FGS** 1/4" BSPF  
**4MGZ** 1/4" BSPM               **6MSS** 9/16"-18 SAE Male  
**4FGZ** 1/4" BSPF  
**4MSZ** 7/16"-20 SAE Male  
**6MSZ** 9/16"-18 SAE Male  
**4SSZ** 7/16"-20 SAE Male Swivel

**Circuit** \_\_\_\_\_  
**C** SPDT; **CC** DPDT; **Z** SPDT-DB; **ZZ** DPDT-DB

**Electrical Termination** \_\_\_\_\_  
**ELXX** 1/2" NPT Male Conduit w/Flying Leads<sup>1</sup>;  
**H** DIN 43650A Male Half Only<sup>2</sup>; **HC** DIN 43650A 9mm Cable Clamp<sup>2</sup>;  
**HN** DIN 43650A with 1/2" Female NPT Conduit<sup>2</sup>;

**Options** \_\_\_\_\_  
**V** Viton® Diaphragm; **N** Neoprene Diaphragm; **E** EPDM Diaphragm;  
**G** Gold Contacts (for loads less than 12 mA @ 12 VDC); **OXY** Oxygen Cleaned<sup>3</sup>;  
**R** Restrictor (low damping coefficient) Brass;  
**SR** Spiral Restrictor (high damping coefficient) 12L14 Steel w/Black Oxide Finish

**Fixed Set Point (optional)** \_\_\_\_\_  
 A. Specify set point **FS** (in BAR or PSI, see example)<sup>4</sup> \_\_\_\_\_  
 B. Set Point Actuation \_\_\_\_\_  
**R** on Rising Pressure; **F** on Falling Pressure  
 Example: **FS1BARF** for 1 BAR Falling or **FS20PSIR** for 20 PSI Rising

**Notes:**

1. 18" is standard. Specify lead length in inches (max. 48"). e.g. **EL18** or **EL30**.
2. DIN connectors require **C** SPDT circuit.
3. Requires stainless steel pressure fitting.
4. Set Point must be within Pressure Range selected in Step 1 above.

## Pressure Range Table

Pressure Range Code	Pressure Range	Adjustable Dead Band	Proof Pressure
10	0.35-1.7 bar (5-25 psi)	0.17-0.43 bar (3-6 psi)	35 bar (500 psi)
20	1.0-5.2 bar (15-75 psi)	0.5-1.25 bar (8-19 psi)	600 bar (9000 psi)
30	3.5-10.3 bar (50-150 psi)	1.0-2.5 bar (15-37 psi)	600 bar (9000 psi)
40	10.3-44.8 bar (150-650 psi)	4.5-11 bar (65-160 psi)	600 bar (9000 psi)
50	34.5-120.7 bar (500-1750 psi)	12-30 bar (175-430 psi)	600 bar (9000 psi)
60	69.0-241.3 bar (1000-3500 psi)	24-60 bar (300-875 psi)	600 bar (9000 psi)
70	172.4-413.7 bar (2500-6000 psi)	42-105 bar (600-1500 psi)	600 bar (9000 psi)

# PS81 – Ultra-Long Life Vacuum Switches

- ▶ 25 to 508 mbar (0.75" to 15" Hg)
- ▶ Sensitive diaphragm for lower set points
- ▶ Factory fixed or adjustable set points
- ▶ DPDT versions available

For low vacuum applications, the longevity of our PS81 Series is hard to beat. A life expectancy of 1 million cycles means long-term reliability. Their brass housing and choice of four diaphragm materials ensures chemical compatibility with your system. PS81 series switches have a field adjustable set point or can be factory set.

## Specifications

<b>Operating Temperature</b>	-40°C to +80°C (-40°F to +180°F)
<b>Switch*</b>	5 Amp @ 24 VDC and 250 VAC 1 Amp @ 24 VDC (-G option)
<b>Repeatability</b>	±2% of Full Set Point Range at 20°C (70°F)
<b>Wetted Parts</b>	
<b>Diaphragm</b>	Nitrile standard (optional EPDM, Viton® or Kapton®)
<b>Fitting</b>	Brass
<b>Housing</b>	Brass
<b>Spring</b>	Stainless Steel
<b>Spring Guide</b>	Dolrin
<b>Electrical Termination</b>	DIN 43650A IP65; Terminals IP00; Flying Leads IP65; IP option IP66
<b>Proof Pressure</b>	10 bar (150 psi)
<b>Approvals</b>	CE, UL Approved units available
<b>Weight, Approximate</b>	0.14 kg (0.31 lbs.)

\*Gold contacts (option G) may be required for less than 12 VDC and 20 mA.

## How to Order

Use the **Bold** characters from the chart below right to construct a product code.

**PS81 10 4MNB C H XX XXXX**

**Pressure Range Code** \_\_\_\_\_  
Insert Pressure Range Code from table below

**Pressure Fitting** \_\_\_\_\_  
**2MNB** 1/8" NPTM Brass; **4MNB** 1/4" NPTM Brass;  
**2FNB** 1/8" NPTF Brass; **4MGB** 1/4" BSPM Brass;  
**4MSB** 7/16"-20 SAE Male, Brass;  
**6MSB** 9/16"-18 SAE Male, Brass

**Circuit** \_\_\_\_\_  
**A** SPST/NO; **B** SPST/NC; **C** SPDT; (at zero pressure (gauge))  
**AA** DPST/NO; **BB** DPST/NC; **CC** DPDT

**Electrical Termination** \_\_\_\_\_  
**FLXX** Flying Leads<sup>1</sup>; **ELXX** 1/2" NPT Male Conduit w/Flying Leads<sup>2</sup>;  
**H** DIN 43650A Male Half Only<sup>3</sup>; **HC** DIN 43650A 9mm Cable Clamp<sup>3</sup>;  
**HN** DIN 43650A with 1/2" Female NPT Conduit<sup>3</sup>

**Options** \_\_\_\_\_  
**V** Viton® Diaphragm; **E** EPDM Diaphragm; **K** Kapton® Diaphragm;  
**G** Gold Contacts (for loads less than 12 mA @ 12 VDC); **OXY** Oxygen Cleaned;  
**IP** Ingress Protection<sup>4</sup>

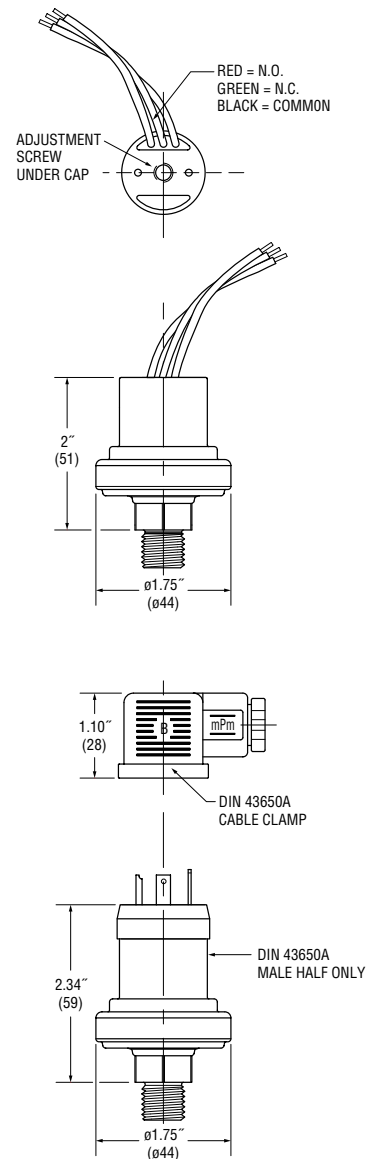
**Fixed Set Point (optional)** \_\_\_\_\_  
A. Specify set point **FS** (in Inches Hg or mBAR, see example)<sup>5</sup>  
B. Set Point Actuation \_\_\_\_\_  
**R** on Rising Vacuum; **F** on Falling Vacuum  
Example: **FS100MBAF** for 100 mBAR Falling or **FS2INHGR** for 2" Hg Rising

### Notes:

- 18" is standard. Specify lead length in inches (max. 48"). e.g. **FL18** or **FL30**.
- 18" is standard. Specify cable length in inches (max. 48"). e.g. **EL18** or **EL30**.
- DIN connectors require **C** SPDT circuit.
- Ingress Protection is available only with **FL** Electrical Termination and requires Fixed Set Point **FS**.
- Set Point must be within Pressure Range selected in Step 1 above.



## Dimensions



## Pressure Range Table

Pressure Range Code	Pressure Range	Average Dead Band
10	25.4 - 169.3 mbar (0.75-5"Hg)	6 - 17 mbar (0.2-0.5"Hg)
20	135.5-508 mbar (4-15"Hg)	10 - 24 mbar (0.3-0.7"Hg)

# PS82 – Economical Miniature Vacuum Switches

▶ 169 to 1016 mbar (5" to 30" Hg) formerly PS-EV series

These miniature vacuum switches, based on our proven PS71 series, are designed for demanding applications where space and/or price are strong concerns.

## Specifications

<b>Operating Temperature</b>	-40°C to +80°C (-40°F to +180°F)
<b>Switch*</b>	5 Amp at 12/24 VDC and 125/250 VAC; 1 Amp with gold contacts (option G)
<b>Repeatability</b>	±2% of Full Set Point Range @ 20°C (70°F)
<b>Wetted Parts</b>	
<b>Diaphragm Material</b>	Nitrile standard (optional EPDM, Viton® and Neoprene)
<b>Fitting</b>	Brass (optional 316 Stainless Steel)
<b>Spring</b>	316 Stainless Steel
<b>Electrical Termination</b>	DIN 43650A IP65; Male Conduit with Flying Leads IP00; Flying Leads IP65; IP option IP66
<b>Proof Pressure</b>	35 bar (500 psi)
<b>Approvals</b>	CE
<b>Weight, Approximate</b>	0.25 kg (0.5 lbs.)

\*Gold contacts (option G) may be required for less than 12 VDC and 20 mA.

Viton® is a registered trademark of Dupont.

## How to Order

Use the **Bold** characters from the chart below to construct a product code.

**PS82 10 -4MNB -C -H -XX -XXXX**

### Pressure Range Code

Insert Pressure Range Code from table below right

### Pressure Fitting<sup>1</sup>

<i>Brass</i>	<i>316 Stainless Steel</i>
<b>2MNB</b> 1/8" NPTM	<b>2MNS</b> 1/8" NPTM
<b>4MNB</b> 1/4" NPTM	<b>4MNS</b> 1/4" NPTM
<b>2MGB</b> 1/8" BSPM	<b>4MGS</b> 1/4" BSPM
<b>4MGB</b> 1/4" BSPM	
<b>4MSB</b> 7/16"-20 SAE Male	
<b>6MSB</b> 9/16"-18 SAE Male	

### Circuit

**A** SPST/NO; **B** SPST/NC; **C** SPDT; (at zero pressure (gauge))

### Electrical Termination

**FLXX** Flying Leads<sup>2</sup>; **FLSXX** Flying Leads w/PVC Shrink Tubing<sup>2</sup>;  
**ELXX** 1/2" NPT Male Conduit w/Flying Leads<sup>3</sup>; **CABXX** 18 AWG PVC Cable<sup>4</sup>;  
**H** DIN 43650A Male Half Only<sup>5</sup>; **HR** Right Angle DIN 43650A Male Half Only<sup>5</sup>;  
**HC** DIN 43650A 9mm Cable Clamp<sup>5</sup>;  
**HCR** Right Angle DIN 43650A 9mm Cable Clamp<sup>5</sup>;  
**HN** DIN 43650A with 1/2" Female NPT Conduit<sup>5</sup>;  
**HNR** Right Angle DIN 43650A with 1/2" Female NPT Conduit<sup>5</sup>;  
**HM** Micro (9.4mm Spacing) DIN Style Male Half Only<sup>6</sup>

### Options

**V** Viton® Diaphragm; **N** Neoprene Diaphragm; **E** EPDM Diaphragm;  
**G** Gold Contacts (for loads less than 12 mA @ 12 VDC)  
**RD** Reduced Differential (50% reduction typical); **IP** Ingress Protection<sup>6</sup>;  
**OXY** Oxygen Cleaned; **WF** Weather Pack Connector, Female;  
**WM** Weather Pack Connector, Male; **DE** Deutsch Connector, Male, DT04 Series

### Fixed Set Point (optional)

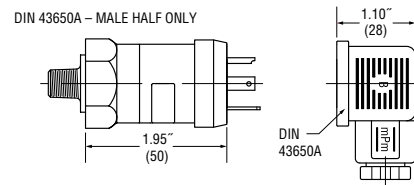
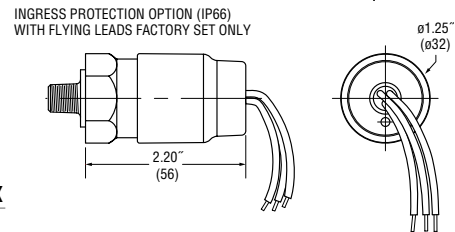
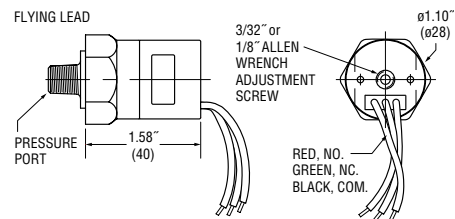
- A. Specify set point **FS** (in mBAR or Inches Hg, see example)<sup>7</sup>  
 B. Set Point Actuation

**R** on Rising Vacuum; **F** on Falling Vacuum

Example: **FS300MBARF** for 300 mBAR Falling or **FS10INHGR** for 10" Hg Rising



## Dimensions



## Pressure Range Table

Pressure Range Code	Pressure Range	Average Dead Band
10	169.3 - 508.0 mbar (5 - 15" Hg)	100 - 150 mbar (3 - 5" Hg)
20	406.4 - 1016.0 mbar (12 - 30" Hg)	100 - 270 mbar (3 - 9" Hg)

### Notes:

- Other connectors available. Consult factory.
- 18" is standard. Specify lead length in inches (max. 48"). e.g. **FL18** or **FLS30**.
- 18" is standard. Specify cable length in inches (max. 48"). e.g. **EL18** or **EL30**.
- 36" is minimum. Specify cable length in inches. e.g. **CAB36** or **CAB120**.
- DIN connectors require **C** SPDT circuit.
- Ingress Protection is available only with **FL**, **FLS** or **CAB** Electrical Termination choices. Ingress Protection requires Fixed Set Point **FS**.
- Set Point must be within Pressure Range selected in Step 1 above.

# PS83 – OEM Subminiature Vacuum Switch

▶ 169 to 1016 mbar (5" to 30" Hg) *formerly PS-J series*

This compact vacuum switch is designed for OEM applications. Metal blade contacts in lieu of microswitches make this a very economical switch. The PS83 series features Teflon®-coated Kapton® diaphragms. Kapton® polyimide maintains excellent physical properties over a wide temperature range, while the Teflon® coating offers superb chemical resistance.

## Specifications

Operating Temperature	-40°C to +93°C (-40°F to +200°F)
Switch*	100 VA Max.; 42 V Maximum Voltage
Repeatability	±5% of Full Set Point Range @ 20°C (70°F) ambient temp.
Wetted Parts	
Diaphragm	Teflon®-coated Kapton®
Housing	Brass (optional 316 SS)
Electrical Termination	Exposed Terminals IP00; Flying Leads IP00; IP option IP65
Proof Pressure	10 bar (150 psi)
Approvals	CE (UL Approved units available)
Weight, Approximate	0.06 kg (0.14 lbs.)

\*Gold contacts (option G) may be required for less than 12 VDC and 20 mA.  
Teflon® and Kapton® are registered trademarks of Dupont.

## How to Order

Use the **Bold** characters from the chart below to construct a product code.

**PS83 10 4MNB A SP XX XXXX**

**Pressure Range Code** \_\_\_\_\_  
Insert Pressure Range Code from table below

**Pressure Fitting<sup>1</sup>** \_\_\_\_\_

<i>Brass</i>	<i>316 Stainless Steel</i>
<b>2MNB</b> 1/8" NPTM	<b>2MNS</b> 1/8" NPTM
<b>4MNB</b> 1/4" NPTM	<b>4MNS</b> 1/4" NPTM
<b>2MGB</b> 1/8" BSPM	<b>2MGS</b> 1/8" BSPM
<b>4MGB</b> 1/4" BSPM	<b>4MGS</b> 1/4" BSPM
<b>8MGB</b> 1/2" BSPM	<b>4MSS</b> 7/16"-20 SAE Male
<b>M10B</b> M10 x 1.0 Straight	<b>6MSS</b> 9/16"-18 SAE Male
<b>M12B</b> M12 x 1.5 Straight	
<b>4MSB</b> 7/16"-20 SAE Male	
<b>6MSB</b> 9/16"-18 SAE Male	

**Circuit** \_\_\_\_\_  
**A** SPST/NO; **B** SPST/NC (at zero pressure (gauge))

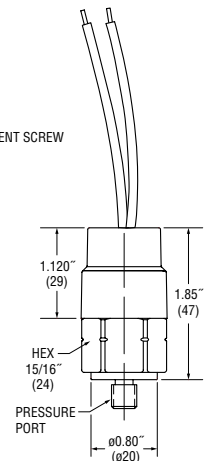
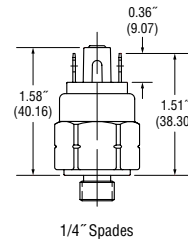
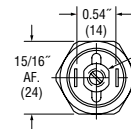
**Electrical Termination** \_\_\_\_\_  
**SP** Spade Terminals (standard); **TS** Terminal Screws;  
**FLXX** Flying Leads<sup>2</sup>; **FLSXX** Flying Leads w/PVC Shrink Tubing<sup>2</sup>

**Options** \_\_\_\_\_  
**G** Gold Contacts (for loads less than 12 mA @ 12 VDC); **IP** Ingress Protection<sup>3</sup>;  
**OXY** Oxygen Cleaned; **RB** Rubber Boot (shipped loose);  
**WF** Weather Pack Connector, Female; **WM** Weather Pack Connector, Male;  
**DE** Deutsch Connector, Male, DT04 Series

**Fixed Set Point (optional)** \_\_\_\_\_  
A. Specify set point **FS** (in mBAR or Inches Hg, see example)<sup>4</sup> \_\_\_\_\_  
B. Set Point Actuation \_\_\_\_\_  
**R** on Rising Vacuum; **F** on Falling Vacuum  
Example: **FS300MBAF** for 300 mBAR Falling or **FS10INHGR** for 10" Hg Rising



## Dimensions



1/4" Spades

Flying Leads with IP option

## Pressure Range Table

Pressure Range Code	Pressure Range	Average Dead Band
10	169.3-508.0 mbar (5 - 15" Hg)	Less than 10% of full set point range
20	406.4-1016.0 mbar (12 - 30" Hg)	

### Notes:

- Other connectors available. Consult factory.
- 18" is standard. Specify lead length in inches (max. 48"). e.g. **FL18** or **FLS30**.
- Ingress Protection is available only with **FL** or **FLS** Electrical Termination.
- Set Point must be within Pressure Range selected in Step 1 above.

# PS91 – Compact Differential Switch

- ▶ .3 to 1.7 bar (5 to 25 psi)
- ▶ Unaffected by static pressure
- ▶ Robust packaging for harsh applications

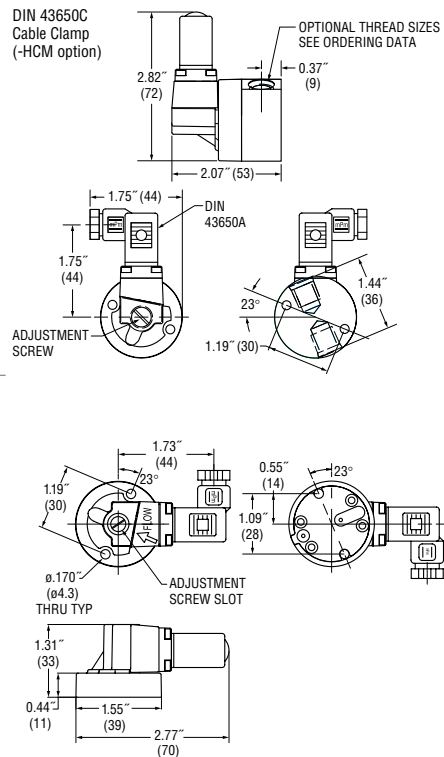
The PS91 is a differential pressure switch that is not affected by changes in static pressure (common line pressure). The PS91 is designed for a unique manifold, or supplied with two 1/8" NPT female ports for more general purpose applications. The switch can be adjusted via a central screw on top of the unit. The unit is supplied with a mini-DIN connector in keeping with the compact packaging.

## Specifications

<b>Operating Temperature</b>	-40°C to +80°C (-40°F to +180°F)
<b>Switch*</b>	5 Amp @ 24 VDC and 250 VAC; 0.5 Amp @ 24 VDC
<b>Repeatability</b>	±2% of Full Set Point Range @ 20°C (70°F)
<b>Wetted Parts</b>	
<b>Diaphragm</b>	Nitrile standard (optional EPDM and Viton®)
<b>Fitting</b>	Black Anodized Aluminum
<b>Housing</b>	30% Glass Filled Nylon; Buna-N O-rings
<b>Electrical Termination</b>	DIN 43650C IP65; Terminals IP00
<b>Proof Pressure</b>	100 bar (1500 psi)
<b>Approvals</b>	CE
<b>Weight, Approximate</b>	0.045 kg (0.10 lbs.)



## Dimensions



\*Gold contacts (option G) may be required for less than 12 VDC and 20 mA.

## How to Order

Use the **Bold** characters from the chart below to construct a product code.

**PS91 10 4FSA C HM XX XXXX**

**Pressure Range Code** \_\_\_\_\_  
Insert Pressure Range Code from table below

**Pressure Fitting** \_\_\_\_\_  
**2FNA** 1/8" NPTF Aluminum;  
**4FSA** 7/16"-20 SAE Female, Aluminum;  
**30MA** Manifold Mount, (2) 4.3 mm Dia. Holes, 30.2 mm Dia. B.C., Anodized Black Aluminum

**Circuit** \_\_\_\_\_  
**C** SPDT

**Electrical Termination** \_\_\_\_\_  
**HM** DIN 43650C Male Half Only (standard);  
**HCM** DIN 43650C 7 mm Cable Clamp

**Options** \_\_\_\_\_  
**V** Viton® Diaphragm; **E** EPDM Diaphragm

**Fixed Set Point (optional)** \_\_\_\_\_  
A. Specify set point **FS** (in BAR or PSI, see example)\* \_\_\_\_\_  
B. Set Point Actuation \_\_\_\_\_  
**R** on Rising Pressure; **F** on Falling Pressure  
Example: **FS1BARF** for 1 BAR Falling or **FS10PSIR** for 10 PSI Rising

### Note:

1. Set Point must be within Pressure Range selected in Step 1 above.

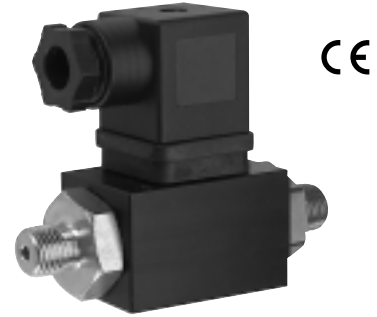
## Pressure Range Table

Pressure Range Code	Pressure Range	Average Dead Band
10	0.35 - 1.0 bar (5 - 15 psid)	0.15-0.3 bar (2-5 psi)
20	0.8 - 1.7 bar (12 - 25 psid)	0.25-0.5 bar (4-7 psi)

# PS93 – General Purpose Differential Pressure Switch

- ▶ .7 to 3 bar (10 to 45 psi) *formerly PS-D series*
- ▶ Compact construction
- ▶ Can be mounted in tight spaces
- ▶ Rugged housing

The PS93 Series compact design enables them to be mounted in tight spaces. The switches use a piston/diaphragm design which incorporates the high proof pressure of piston technology with the sensitivity of a diaphragm design. The PS93 series switches may be field or factory adjusted via a hex screw inside the low port, protecting them against unauthorized tampering.



## Specifications

### Operating Temperature

<b>Buna-N</b>	-20°C to +80°C (-4°F to +176°F)
<b>EPDM1</b>	-40°C to +80°C (-40°F to +176°F)
<b>Viton®1</b>	+0°C to +80°C (+32°F to +176°F)

<b>Switch<sup>2</sup></b>	5 Amp SPDT @ 240 VAC and 24 VDC; 0.5 Amp @ 24 VDC (-G option)
---------------------------	--

<b>Repeatability</b>	±2% of highest set point @ 20°C (68°F)
----------------------	--

### Wetted Parts

<b>Diaphragm</b>	Buna-N (optional EPDM, Viton® and Neoprene)
<b>Fitting</b>	Zinc-plated steel (optional Brass or 316 Stainless Steel)

<b>Electrical Termination</b>	DIN 43650A (IP65)
-------------------------------	-------------------

<b>Proof Pressure</b>	35 bar (500 psi)
-----------------------	------------------

<b>Approvals</b>	CE
------------------	----

<b>Weight, Approximate</b>	0.35 kg (0.75 lbs.)
----------------------------	---------------------

Notes:

1. Optional
2. Gold contacts (option G) may be required for less than 12 VDC and 20 mA.

## How to Order

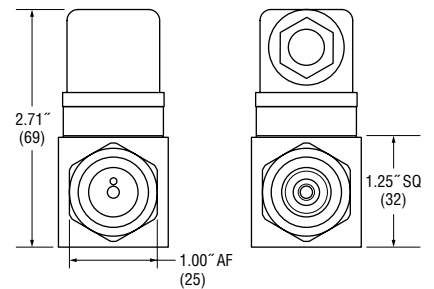
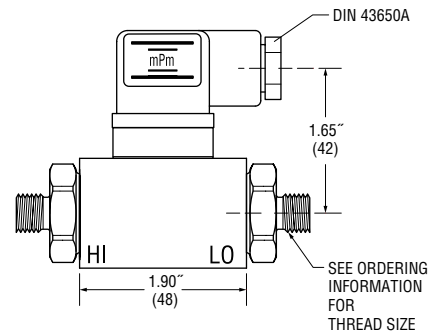
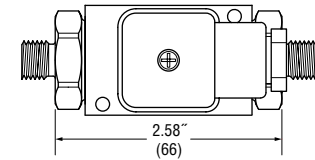
Use the **Bold** characters from the chart below to construct a product code.

<b>PS93</b>	<b>10</b>	<b>4MNS/4MNS</b>	<b>C</b>	<b>HM</b>	<b>XX</b>	<b>XXXX</b>
<b>Pressure Range Code</b>	Insert Pressure Range Code from table below right					
<b>Pressure Fitting</b>	High Port/Low Port					
	<b>12L14 Zinc Plated Steel</b>	<b>Brass</b>				
	<b>2MNZ</b> 1/8" NPTM;	<b>4MNB</b> 1/4" NPTM;				
	<b>2MGZ</b> 1/8" BSPM;	<b>4MGB</b> 1/4" BSPM				
	<b>4MNZ</b> 1/4" NPTM;					
	<b>4MGZ</b> 1/4" BSPM;					
	<b>4FNZ</b> 1/4" NPTF;					
	<b>4MSZ</b> 7/16"-20 SAE Male					
	<b>316 Stainless Steel</b>	<b>316 Stainless Steel</b>				
	<b>4MNS</b> 1/4" NPTM	<b>4MNS</b> 1/4" NPTM				
<b>Circuit</b>	<b>C</b> SPDT					
<b>Electrical Termination</b>	<b>H</b> DIN 43650A Male Half Only (standard); <b>HC</b> DIN 43650A 9mm Cable Clamp; <b>HN</b> DIN 43650A with 1/2" Female NPT Conduit					
<b>Options</b>	<b>V</b> Viton® Diaphragm; <b>E</b> EPDM Diaphragm; <b>N</b> Neoprene Diaphragm; <b>G</b> Gold Contacts (for loads less than 12 mA @ 12 VDC)					
<b>Fixed Set Point (optional)</b>	A. Specify set point <b>FS</b> (in BAR or PSI, see example) <sup>1</sup> B. Set Point Actuation <b>R</b> on Rising Pressure; <b>F</b> on Falling Pressure Example: <b>FS1BARF</b> for 1 BAR Falling or <b>FS10PSIR</b> for 10 PSI Rising					

### Note:

1. Set Point must be within Pressure Range selected in Step 1 above.

## Dimensions



## Pressure Range Table

Pressure Range Code	Pressure Range	Average Dead Band
10	0.7 - 1.7 bar (10 - 25 psi)	0.2 - 0.4 bar (3 - 8 psi)
20	1.4 - 3.1 bar (20 - 45 psi)	0.35 - 1 bar (5 - 15 psi)

# PS96/97 – Inline Pressure Switch

- ▶ 2 to 10 bar (30 to 150 psi)
- ▶ Visual adjustment
- ▶ Robust packaging for harsh applications
- ▶ PS97 Unique Manifold Mount

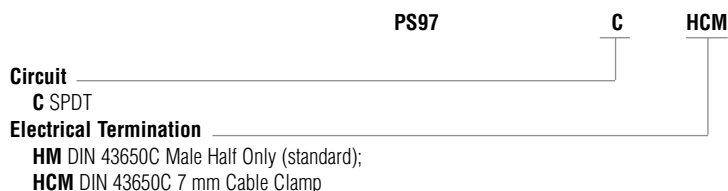
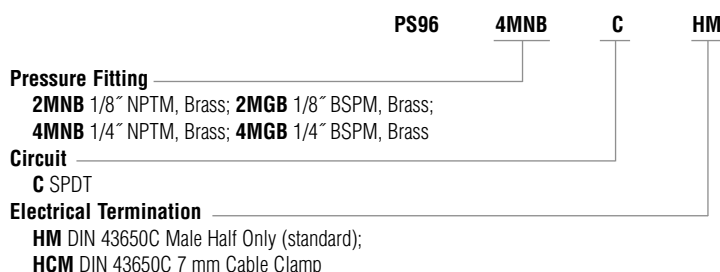
The PS96 is a compact switch featuring a simple field adjustment. The PS97 has a unique 2 bolt manifold mount. The mating flat surface only needs to accept 2 mounting screws to secure the pressure fitting in place. The single turn adjustment has an indicating scale on it for quick adjustments in the field. The miniature DIN standard "C" utilizes 8 mm spacing between contact pins. Its all-metal enclosure and small size make it an ideal choice for mounting in tight areas.

## Specifications

<b>Operating Temperature</b>	-40°C to +80°C (-40°F to +180°F)
<b>Switch*</b>	5 Amp @ 24 VDC and 250 VAC; 0.5 Amp @ 24 VDC
<b>Adjustment Range</b>	2-10 bar (30-150 psi)
<b>Repeatability</b>	±2% of Full Set Point Range @ 20°C (70°F)
<b>Wetted Parts</b>	
<b>Diaphragm</b>	Nitrile
<b>Fitting</b>	Brass (PS97 Aluminium, Anodized Black, 'O' Ring)
<b>Electrical Termination</b>	DIN 43650C IP65
<b>Average Deadband</b>	.8-1.70 bar (12-25 psi)
<b>Proof Pressure</b>	100 bar (1500 psi)
<b>Approvals</b>	CE
<b>Weight, Approximate</b>	0.06 kg (0.13 lbs.)

## How to Order

Use the **Bold** characters from the chart below to construct a product code.



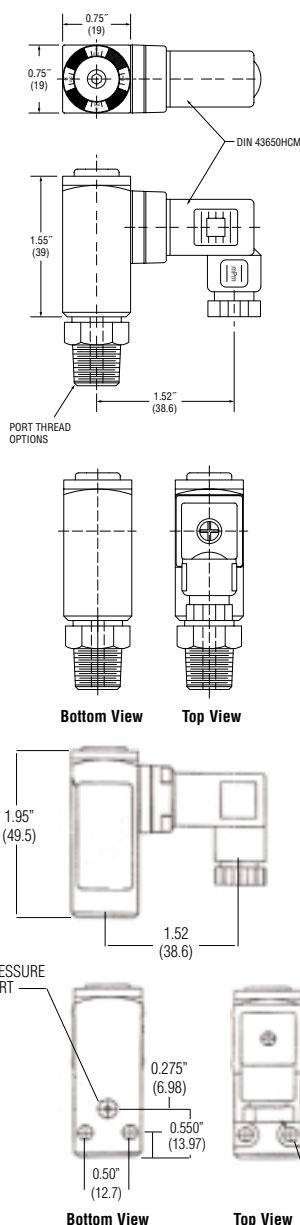
PS96



PS97



## Dimensions



# PS98 - Solid State Pressure Switch

- ▶ 0 to 400 bar and 0 to 6000 psi
- ▶ Highly resistant to shock and vibration
- ▶ Ideal for off-highway, mobile, demanding applications
- ▶ No moving parts
- ▶ Long cycle life

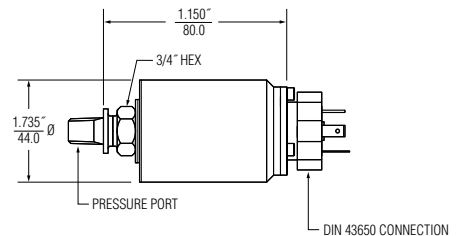
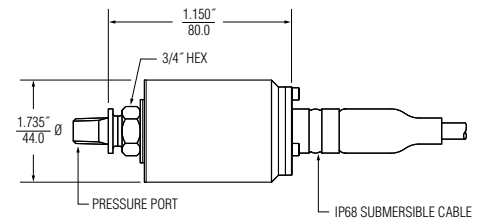
Answering the demand for solid-state switches, Gems proudly offers the PS98. Built from our proven CVD and ASIC design, the PS98 Solid State pressure switch offers greater accuracy in rough environments. This switch is an ideal alternative to electromechanical types when cycles exceed 50 cycles/minute and broad frequency response is needed. In addition to a modular design, a host of pressure ports and electrical connections are available. Switch and switch-back points are factory set per customer specification.



## Specifications

<b>Operating Temperature</b>	-40°C to 125°C (-40°F to 260°F)
<b>Switch</b>	Relay or Transistor
<b>Repeatability</b>	.25% of Full Set point range @ 20°C (70°F)
<b>Wetted Parts</b>	
<b>Diaphragm</b>	17-4PH Stainless Steel
<b>Fitting</b>	316 Stainless Steel
<b>Electrical Termination</b>	
	DIN "G" IP65 10-6 MIL CONN "C" IP65 Submersible Cable "M" IP68
<b>Supply Voltage (Vs)</b>	12 to 32Vdc
<b>Vibration</b>	70g, peak to peak sinusoidal, 5 to 2000 Hz (Random Vibration: 20 to 2000 Hz @ appx. 20g Peak per MIL-STD-810E Method 514.4)
<b>Acceleration</b>	100g steady acceleration in any direction 0.032% FS/g for 1 bar (15 psi) range decreasing logarithmically to 0.0007% FS/g for 400 bar (6000 psi) range.
<b>Shock Method 516.4 Procedure 1</b>	20g, 11 ms, per MIL-STD-810E
<b>Deadband</b>	See How to Order
<b>Proof Pressure</b>	2X Full Scale
<b>Approvals</b>	CE (limits switch voltage to 42 VDC)
<b>Weight, Approx.</b>	0.45 kg (1.0 lbs)

## Dimensions



## How to Order

Use the **bold** characters from the chart below to construct a product code

**PS98    R    G    G15    02    G    A    150    125**

**Output** \_\_\_\_\_  
**R** Relay; **T** Transistor

**Pressure Datum** \_\_\_\_\_  
**A** Absolute (up to 25 bar) **G** Gauge

**Pressure Range** \_\_\_\_\_  
 Insert Pressure Range Code from table below right

**Pressure Port** \_\_\_\_\_  
**08** 1/8-27 NPT External; **02** 1/4-18 NPT External;  
**0J** 1/4 NPT External w/snubber; **0E** 1/4 NPT Internal;  
**0H** 1/2-14 NPT External; **04** 7/16-20 External (SAE #4, J514);  
**1P** 9/16-18 External (SAE #6, J1926-2);  
**IJ** 7/16-20 External (SAE #4, J1926-2);  
**09** G1/8 Internal; **01** G1/4 External; **0A** R1/4 External

**Electrical Termination** \_\_\_\_\_  
**G** Large DIN (only with Transistor);  
**MXXX** IP68 Cable (Specify length in meters; e.g. **M012**);  
**C** 6-Pin Connector

**Circuit** \_\_\_\_\_  
**A** N.O.; **B** N.C.; **C** SPDT (only with Relay)

**Factory Set Point'** \_\_\_\_\_

**Re-Set Point'** \_\_\_\_\_

## Pressure Range Table

Pressure Range Code	Pressure Range (bar)	Pressure Range Code	Pressure Range (psi)
A10	0-1	F15	0-15
A16	0-1.6	F30	0-30
A25	0-2.5	F60	0-60
A40	0-4	G10	0-100
A60	0-6	G15	0-150
B10	0-10	G20	0-200
B16	0-16	G30	0-300
B25	0-25	G50	0-500
B40	0-40	G60	0-600
B60	0-60	H10	0-1000
C10	0-100	H15	0-1500
C16	0-160	H20	0-2000
C25	0-250	H30	0-3000
C40	0-400	H40	0-4000
		H50	0-5000
		H60	0-6000

**Note:**  
 1. Set Points must be within Pressure Range selected in Step 3 above.

Represented by



**United Kingdom**

Gems Sensors  
Lennox Rd  
Basingstoke  
Hants. RG22 4AW  
Tel: +44 (0)1256 320244  
Fax: +44 (0)1256 473680  
Email: sales@gems-sensors.co.uk

**France**

Gems Sensors  
Z.I. des Mardelles  
94 - 106, rue Blaise Pascal  
93602 Aulnay-sous-Bois Cédex  
Tel: +33 (0)1.48.19.99.70  
Fax: +33 (0)1.48.19.99.79  
Email: gems-sensors@wanadoo.fr

**Germany\***

Gems Sensors  
Vogelsbergstr. 47  
D 63674 Albstadt  
Tel: + 49 6047-9611-0  
Fax: + 49 6047-9611-11  
Email: vertrieb@gems-sensors.de

**Italy\***

ICG Holding Srl  
Div. Gems Sensors  
Via Leonardo da Vinci, 45/47  
20020 Lainate (MI)  
Tel: +39 02 933 00 154  
Fax: +39 02 933 00 150  
Email: gemsitaly@tiscali.it

**North America**

Gems Sensors  
One Cowles Road  
Plainville  
CT 06062-1198  
Tel: +1 860 747 3000  
Fax: +1 860 747 4244  
Email: info@gemssensors.com

\* Gems Sensors - Germany and Italy are agents acting on behalf of Gems Sensors a division of Danaher UK Industries Ltd, Registered No. 2815444 England

Due to a policy of continuous development we reserve the right to amend specifications without prior notice.

*Gems Sensors is a Member of the Danaher Corporation*

Produced by Clere Design & Print. [www.clere.uk.com](http://www.clere.uk.com)



Visit our website at [www.gems-sensors.co.uk](http://www.gems-sensors.co.uk)